

JURID®

100

YEARS OF GERMAN BRAKING EXPERTISE

NEW PRODUCT INTRODUCTION



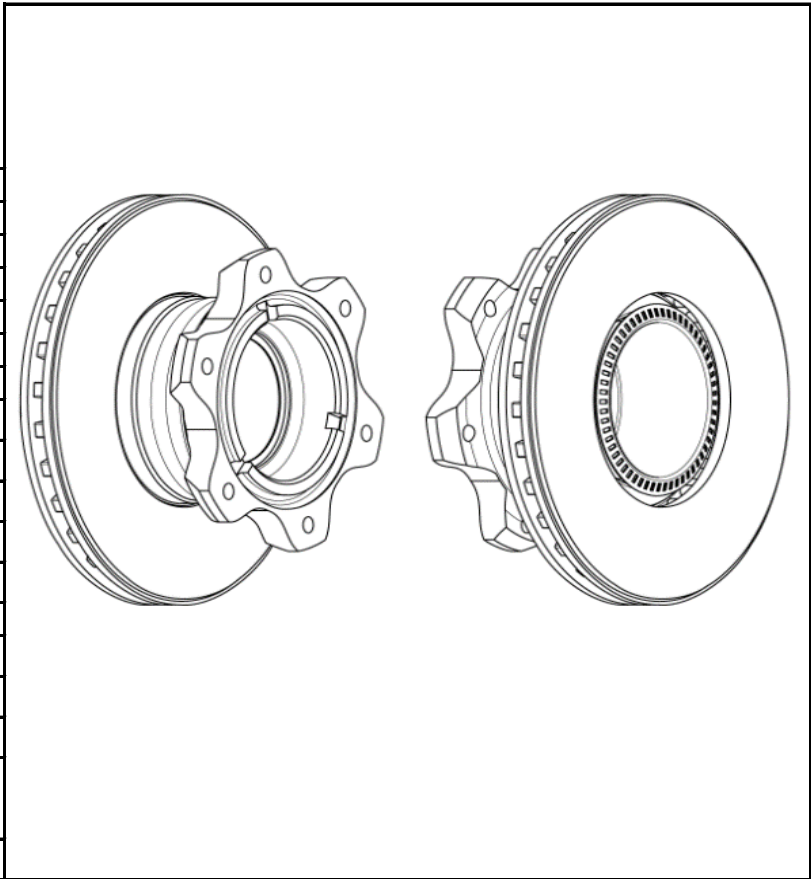
JURID Management Release
APRIL 2018

The Jurid brand is a registered trademark of





PART NUMBER
569227J



DESCRIPTION	CV Brake Disc
DIAMETER [mm]	304
THICKNESS [mm]	30
Min. THICKNESS [mm]	27
HEIGHT [mm]	115
BORE [mm]	117
CIRCLE [mm]	192
HOLES	6xM12
SOLID/VENTED	Vented
ABS SENSOR	-
STUDS	-
WEIGHT [Kg]	14
Q.TY x Pallet	46
EAN-13 BARCODE	4060426060688
ECE R90 APPROVAL	Not Required

COMMENTS

NOTES

X-REFERENCE (OES)	
MB	9054200072

X-REFERENCE (COMPETITOR)	
Ferodo	FCR300A
Beral	BCR300A

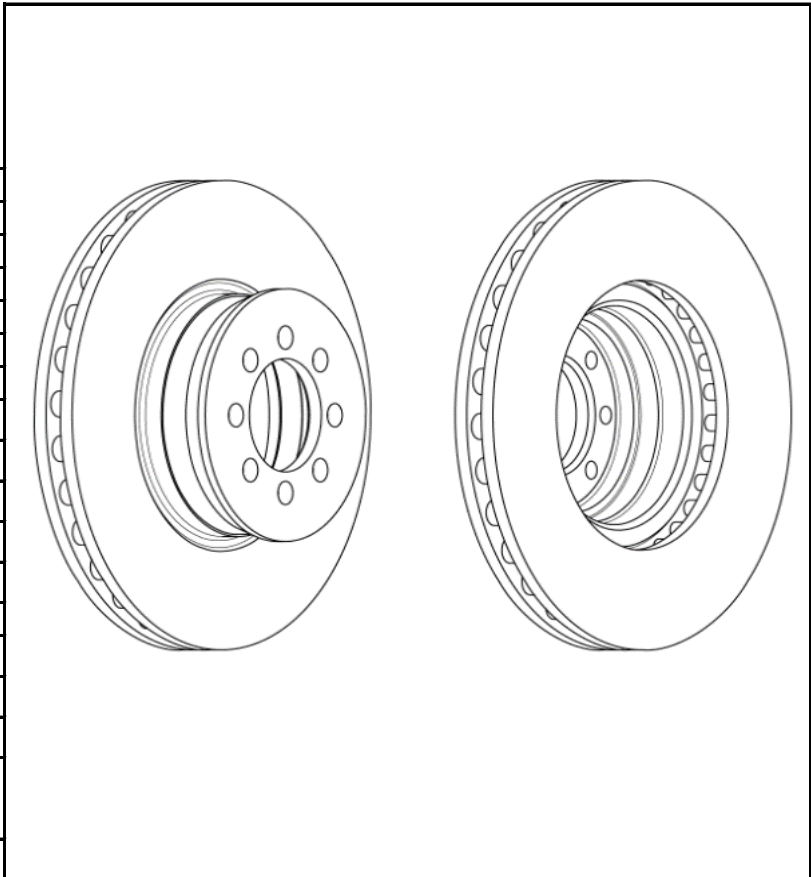
APPLICATIONS	FRONT	REAR	TRAILER
MB Sprinter 616CDi - 2001	<input type="checkbox"/>	<input checked="" type="checkbox"/>	<input type="checkbox"/>
	<input type="checkbox"/>	<input type="checkbox"/>	<input type="checkbox"/>
	<input type="checkbox"/>	<input type="checkbox"/>	<input type="checkbox"/>
	<input type="checkbox"/>	<input type="checkbox"/>	<input type="checkbox"/>
	<input type="checkbox"/>	<input type="checkbox"/>	<input type="checkbox"/>
	<input type="checkbox"/>	<input type="checkbox"/>	<input type="checkbox"/>





PART NUMBER

569232J



DESCRIPTION	CV Brake Disc
DIAMETER [mm]	290
THICKNESS [mm]	26
Min. THICKNESS [mm]	23
HEIGHT [mm]	70
BORE [mm]	79
CIRCLE [mm]	96
HOLES	8
SOLID/VENTED	Vented
ABS SENSOR	-
STUDS	-
WEIGHT [Kg]	8,5
Q.TY x Pallet	80
EAN-13 BARCODE	4060426060695
ECE R90 APPROVAL	Not Required

COMMENTS Hydraulic brake system

NOTES

X-REFERENCE (OES)	
MB	9054210012

X-REFERENCE (COMPETITOR)	
Ferodo	FCR335A
Beral	BCR335A

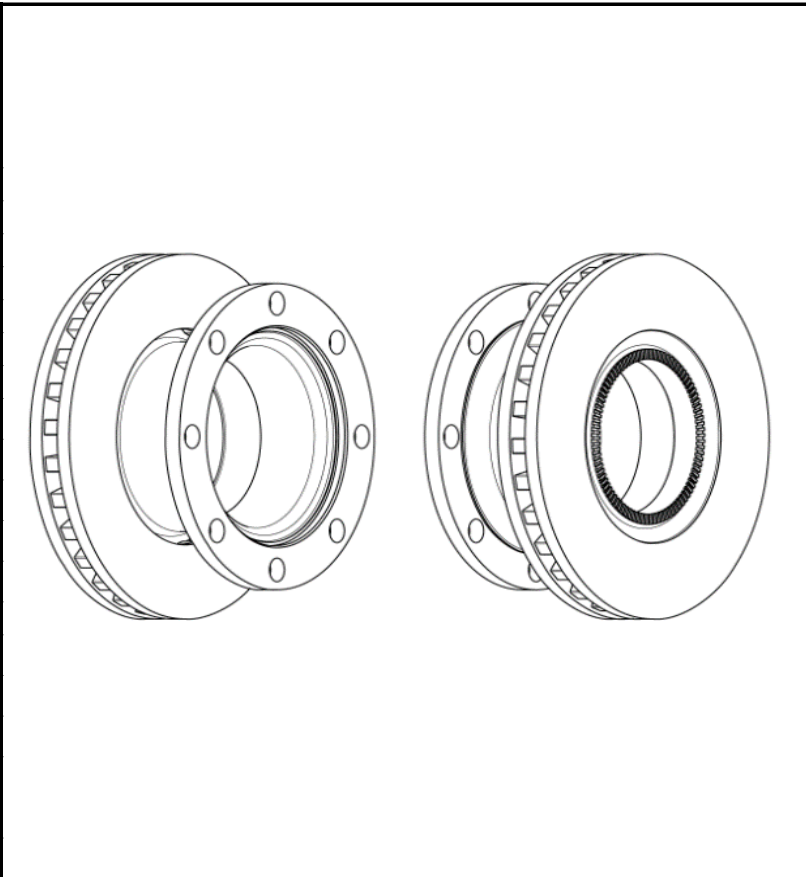
APPLICATIONS	FRONT	REAR	TRAILER
MB Sprinter 616CDi - 2001	<input checked="" type="checkbox"/>	<input type="checkbox"/>	<input type="checkbox"/>
	<input type="checkbox"/>	<input type="checkbox"/>	<input type="checkbox"/>
	<input type="checkbox"/>	<input type="checkbox"/>	<input type="checkbox"/>
	<input type="checkbox"/>	<input type="checkbox"/>	<input type="checkbox"/>
	<input type="checkbox"/>	<input type="checkbox"/>	<input type="checkbox"/>
	<input type="checkbox"/>	<input type="checkbox"/>	<input type="checkbox"/>





PART NUMBER

569236J



DESCRIPTION	CV Brake Disc
DIAMETER [mm]	377
THICKNESS [mm]	45
Min. THICKNESS [mm]	37
HEIGHT [mm]	225
BORE [mm]	150
CIRCLE [mm]	275
HOLES	8x24,3mm
SOLID/VENTED	Vented
ABS SENSOR	ABS Ring
STUDS	-
WEIGHT [Kg]	31,5
Q.TY x Pallet	20
EAN-13 BARCODE	4060426060701
ECE R90 APPROVAL	Not Required
COMMENTS	

NOTES In combination with brake system Meritor DX195 / Elsa195

X-REFERENCE (OES)	
Meritor	68325372
Meritor	08325373

X-REFERENCE (COMPETITOR)	
Ferodo	FCR347A
Beral	BCR347A
Meritor	MBR9014

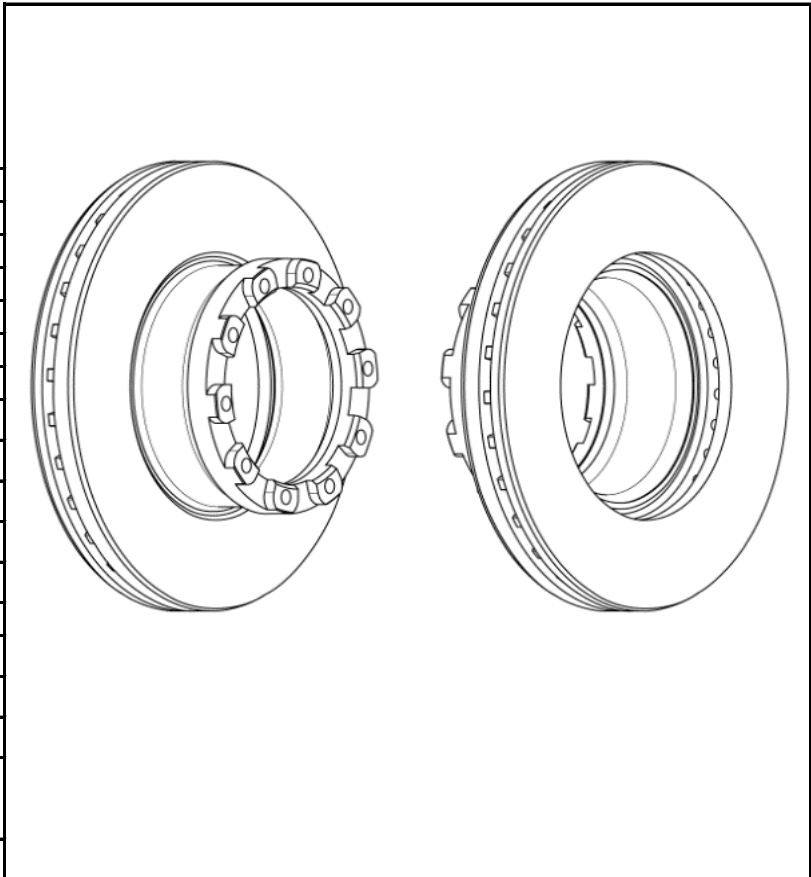
APPLICATIONS	FRONT	REAR	TRAILER
ROR TM axle (+ABS) - 1998	<input type="checkbox"/>	<input type="checkbox"/>	<input checked="" type="checkbox"/>
	<input type="checkbox"/>	<input type="checkbox"/>	<input type="checkbox"/>
	<input type="checkbox"/>	<input type="checkbox"/>	<input type="checkbox"/>
	<input type="checkbox"/>	<input type="checkbox"/>	<input type="checkbox"/>
	<input type="checkbox"/>	<input type="checkbox"/>	<input type="checkbox"/>
	<input type="checkbox"/>	<input type="checkbox"/>	<input type="checkbox"/>





PART NUMBER

569244J



DESCRIPTION	CV Brake Disc
DIAMETER [mm]	430
THICKNESS [mm]	45
Min. THICKNESS [mm]	39
HEIGHT [mm]	131,5
BORE [mm]	189
CIRCLE [mm]	215
HOLES	10xM14x1,5
SOLID/VENTED	Vented
ABS SENSOR	-
STUDS	-
WEIGHT [Kg]	32,8
Q.TY x Pallet	18
EAN-13 BARCODE	4060426060718
ECE R90 APPROVAL	Not Required

COMMENTS

NOTES

X-REFERENCE (OES)	
SAF	4079001700
SAF	4079001701

X-REFERENCE (COMPETITOR)	
Ferodo	FCR358A
Beral	BCR358A

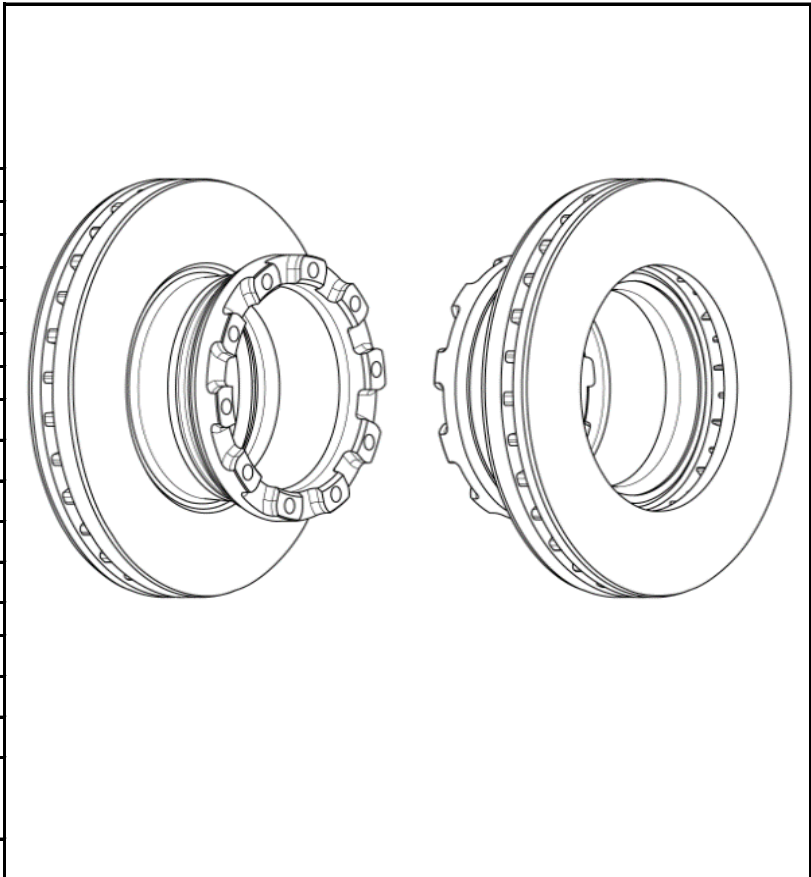
APPLICATIONS	FRONT	REAR	TRAILER
SAF 22,5"	<input type="checkbox"/>	<input type="checkbox"/>	<input checked="" type="checkbox"/>
	<input type="checkbox"/>	<input type="checkbox"/>	<input type="checkbox"/>
	<input type="checkbox"/>	<input type="checkbox"/>	<input type="checkbox"/>
	<input type="checkbox"/>	<input type="checkbox"/>	<input type="checkbox"/>
	<input type="checkbox"/>	<input type="checkbox"/>	<input type="checkbox"/>
	<input type="checkbox"/>	<input type="checkbox"/>	<input type="checkbox"/>





PART NUMBER

569255J



DESCRIPTION	CV Brake Disc
DIAMETER [mm]	377
THICKNESS [mm]	45
Min. THICKNESS [mm]	37
HEIGHT [mm]	141
BORE [mm]	189
CIRCLE [mm]	215
HOLES	10xM14x1,5
SOLID/VENTED	Vented
ABS SENSOR	-
STUDS	-
WEIGHT [Kg]	26,6
Q.TY x Pallet	20
EAN-13 BARCODE	4060426060725
ECE R90 APPROVAL	Not Required

COMMENTS	
-----------------	--

NOTES	
--------------	--

X-REFERENCE (OES)	
SAF	4079001800
SAF	4079001801

X-REFERENCE (COMPETITOR)	
Ferodo	FCR373A
Beral	BCR373A

APPLICATIONS	FRONT	REAR	TRAILER
SAF B9 19,5"	<input type="checkbox"/>	<input type="checkbox"/>	<input checked="" type="checkbox"/>
	<input type="checkbox"/>	<input type="checkbox"/>	<input type="checkbox"/>
	<input type="checkbox"/>	<input type="checkbox"/>	<input type="checkbox"/>
	<input type="checkbox"/>	<input type="checkbox"/>	<input type="checkbox"/>
	<input type="checkbox"/>	<input type="checkbox"/>	<input type="checkbox"/>
	<input type="checkbox"/>	<input type="checkbox"/>	<input type="checkbox"/>

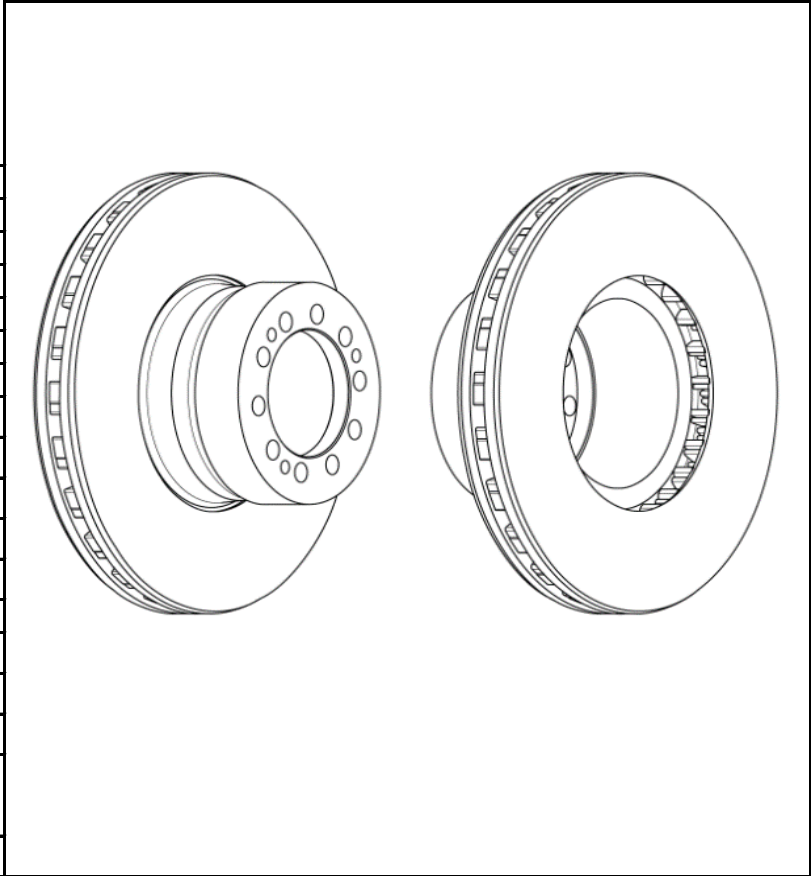




PART NUMBER

569258J

DESCRIPTION	CV Brake Disc
DIAMETER [mm]	330
THICKNESS [mm]	34
Min. THICKNESS [mm]	30
HEIGHT [mm]	113
BORE [mm]	95
CIRCLE [mm]	120
HOLES	10x14,75
SOLID/VENTED	Vented
ABS SENSOR	-
STUDS	-
WEIGHT [Kg]	16
Q.TY x Pallet	33
EAN-13 BARCODE	4060426060732
ECE R90 APPROVAL	Not Required



COMMENTS

NOTES

X-REFERENCE (OES)	
DAF	1703801
DAF	1703805

X-REFERENCE (COMPETITOR)	
Ferodo	FCR376A
Beral	BCR376A

APPLICATIONS	FRONT	REAR	TRAILER
DAF LF 45	<input checked="" type="checkbox"/>	<input type="checkbox"/>	<input type="checkbox"/>
	<input type="checkbox"/>	<input type="checkbox"/>	<input type="checkbox"/>
	<input type="checkbox"/>	<input type="checkbox"/>	<input type="checkbox"/>
	<input type="checkbox"/>	<input type="checkbox"/>	<input type="checkbox"/>
	<input type="checkbox"/>	<input type="checkbox"/>	<input type="checkbox"/>
	<input type="checkbox"/>	<input type="checkbox"/>	<input type="checkbox"/>

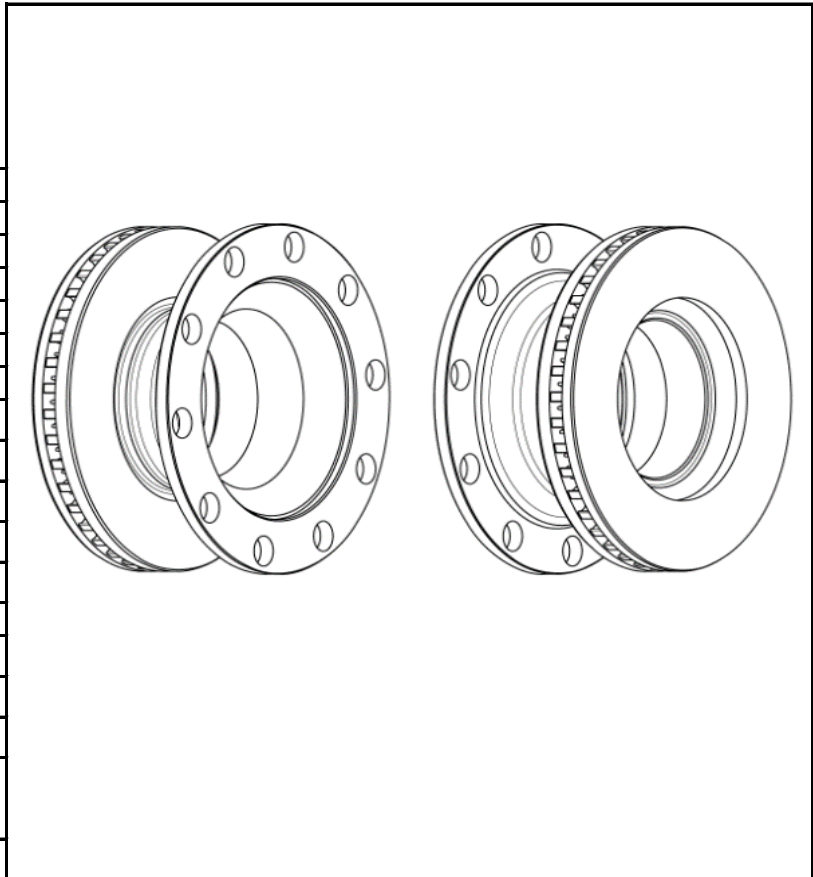




PART NUMBER

569260J

DESCRIPTION	CV Brake Disc
DIAMETER [mm]	375
THICKNESS [mm]	45
Min. THICKNESS [mm]	37
HEIGHT [mm]	166,5
BORE [mm]	262
CIRCLE [mm]	335
HOLES	10
SOLID/VENTED	Vented (PVT)
ABS SENSOR	-
STUDS	-
WEIGHT [Kg]	31,5
Q.TY x Pallet	18
EAN-13 BARCODE	4060426060749
ECE R90 APPROVAL	Not Required



COMMENTS

NOTES

X-REFERENCE (OES)	
Renault	5010598307
Volvo	20704422
Brembo	09.9496.10

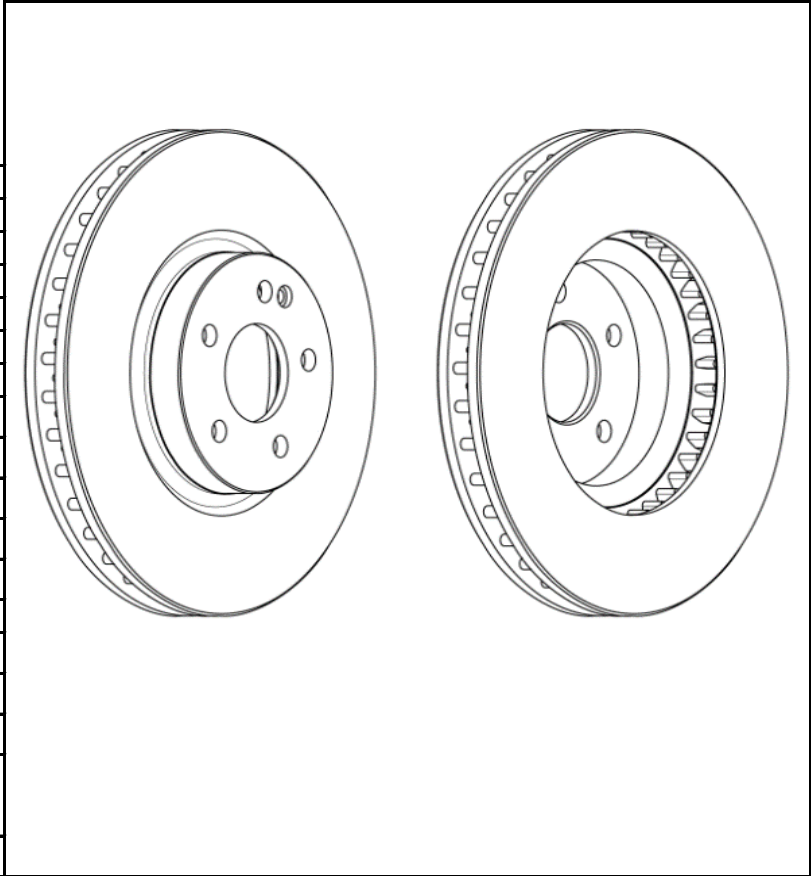
X-REFERENCE (COMPETITOR)	
Ferodo	FCR378A
Beral	BCR378A

APPLICATIONS	FRONT	REAR	TRAILER
Renault Midlum	<input type="checkbox"/>	<input checked="" type="checkbox"/>	<input type="checkbox"/>
Volvo FL II	<input type="checkbox"/>	<input checked="" type="checkbox"/>	<input type="checkbox"/>
	<input type="checkbox"/>	<input type="checkbox"/>	<input type="checkbox"/>
	<input type="checkbox"/>	<input type="checkbox"/>	<input type="checkbox"/>
	<input type="checkbox"/>	<input type="checkbox"/>	<input type="checkbox"/>
	<input type="checkbox"/>	<input type="checkbox"/>	<input type="checkbox"/>





PART NUMBER
569261J



DESCRIPTION	CV Brake Disc
DIAMETER [mm]	330
THICKNESS [mm]	32
Min. THICKNESS [mm]	28
HEIGHT [mm]	58,4
BORE [mm]	67
CIRCLE [mm]	112
HOLES	5
SOLID/VENTED	Vented (PVT)
ABS SENSOR	-
STUDS	-
WEIGHT [Kg]	10,5
Q.TY x Pallet	65
EAN-13 BARCODE	4060426060756
ECE R90 APPROVAL	Not Required
COMMENTS	Hydraulic brake system

NOTES

X-REFERENCE (OES)	
MB	4474210012

X-REFERENCE (COMPETITOR)	
Ferodo	FCR379A
Beral	BCR379A

APPLICATIONS	FRONT	REAR	TRAILER
Mercedes Vito	<input checked="" type="checkbox"/>	<input type="checkbox"/>	<input type="checkbox"/>
	<input type="checkbox"/>	<input type="checkbox"/>	<input type="checkbox"/>
	<input type="checkbox"/>	<input type="checkbox"/>	<input type="checkbox"/>
	<input type="checkbox"/>	<input type="checkbox"/>	<input type="checkbox"/>
	<input type="checkbox"/>	<input type="checkbox"/>	<input type="checkbox"/>
	<input type="checkbox"/>	<input type="checkbox"/>	<input type="checkbox"/>

