

WALKER®

UNIVERSAL PARTS CATALOGUE

2023



TecDoc
CATALOGUE

www.web.tecalliance.net/driv



www.garagegurus.tech/en-eu/

WALKER-EU.COM



At Walker, we don't just hit the standard, we set it.

Between our industry leading unparalleled level of compliance, and our full product portfolio with precise fit and more, we at Walker have a specific way of doing things:

DO IT RIGHT, DO IT

**THE
WALKER
WAY.**



WALKER-EU.COM

www.garagegurus.tech/en-eu/

© 2022 DRiV Automotive Inc. or one of its affiliates in one or more countries.



SCAN TO GET MORE!

ENJOY EXCLUSIVE BENEFITS IN ONLY SECONDS

We're now including something extra with the majority of Walker® parts – a **unique QR code!**

By **simply scanning the QR code with a smartphone's camera**, you can access all you need to know about the product and even learn new skills that will last a lifetime.



THE REAL DEAL!

Scan the code and it gives you the instant peace-of-mind that the product is a **genuine Walker® part**.

EXTENSIVE PRODUCT DETAILS AT YOUR FINGERTIPS

The QR code also provides access to:

- Product part number, specification and applications
- Installation advice
- Warranty conditions
- After sales support
- Direct email for Garage Gurus technical experts

UPDATE YOUR TECHNICAL KNOWLEDGE FOR FREE

Scan the QR code and you can enhance your technical skills for free by enrolling in the Garage Gurus® Online Training Center. Once you've spent a couple of minutes registering, you then enjoy a host of training-based benefits, including:

- e-learning course library
- webinars
- technical articles
- brand information



More info: garagegurus.tech/en-eu



If you see the QR code, scan it – it's as essential as having the right tools for the job!

TABLE OF CONTENTS

TABLE DES MATIERES | INHALT | INHOUD

TABLE OF CONTENTS	Table des matieres Inhalt Inhoud	P. 4 - 7
STOCK CODES	Code de stock Lagerschlüssel Magazijn-codes	P. 8
ACCESSORIES	Accessoires Zubehörteile Accessoires	P. 8
MOUNTING COMPONENTS	Pièces de Montage Montageteile Montage Onderdelen	P. 8
INFORMATION	Information Information Informatie	P. 9
NOTES	Notes Hinweis Aantekeningen	P. 9
CLAMPS	COLLIERS SCHELLEN KLEMMEN	P. 10 - 13
M8 CLAMPS	Colliers M8 M8 Schellen M8 Klemmen	P. 10
M10 CLAMPS	Colliers M10 M10 Schellen M10 Klemmen	P. 10
BANDCLAMPS		P. 11
VOLVO/RENAULT - CLAMP		P. 11
VAG CLAMPS		P. 12
SPECIAL CLAMPS	Colliers Schellen Klemmen	P. 13
SPECIAL BOLTS	VIS SPÉCIALES SPEZIAL SCHRAUBEN SPECIALE BOUTEN	P. 14 - 15
UNIVERSAL BOLTS	COLLIERS SCHELLEN KLEMMEN	P. 15
CONNECTION PIPES	MANCHONS ROHRVERBINDER PIJPVERBINDERS	P. 16 - 18
VAG TYPE		P. 16
WITHOUT CLAMPS		P. 16
U-CLAMPS M10		P. 17
VAG CLAMPS		P. 17
LENGTH 20 CM	Turbulures de Raccordement 20 cm Rohrverlängerungen 20 cm Verlengstukken 20 cm	P. 18
ALUMINISED 3-STEP REDUCTION PIPE		P. 18
ALUMINIZED EXHAUST BENDS	RACCORDS COUDÉS ROHRBOGEN LASBOCHTEN	P. 19 - 20
ANGLE 30°		P. 19
ANGLE 45°		P. 19
ANGLE 60°		P. 20
ANGLE 90°		P. 20

ALUMINIZED EXHAUST BENDS WITH SLOTS	RACCORDS COUDÉS ROHRBOGEN LASBOCHTEN	P. 21
ANGLE 45°		P. 21
ANGLE 90°		P. 21
STRAIGHT TUBING 2 METERS	TUBES DROITS GERADE ROHRE 2 M RECHTE PIJPEN 2M	P. 22
FLEXIBLE TUBING		P. 23 - 25
CIRCULAR PROFILE		P. 23
POLYGONAL PROFILE 1.000		P. 24
POLYGONAL PROFILE 2.000		P. 25
PIPE EXTENSIONS	TUBES D'EXTENSION ROHRVERLÄNGERUNGEN VERLENGSTUKKEN	P. 26
REDUCED BUSHING	RACCORDS RÉDUCTION ROHRREDUZIERUNGEN REDUCEERBUSSEN	P. 26 - 27
WITHOUT SLOTS		P. 26
WITH SLOTS		P. 27
FLEX PIPES	TUBES FLEXIBLES FLEXROHRE FLEXIBELE PIJPEN	P. 27 - 29
FLEX WITH PIPES		P. 27
FLEX 3-STEP PIPES - NON LINED		P. 28
FLEX WITHOUT PIPES		P. 28
FLEX WITH PIPES AND SLOTS - NON LINED		P. 29
FLEX PIPES & INSULATOR BLOCKS		P. 29
HOSE CLIP ASSORTMENT BOX		P. 30
UNIVERSAL CATALYTIC CONVERTER		P. 31 - 33
UNIVERSAL CATALYTIC CONVERTER ROUND		P. 31
UNIVERSAL CATALYTIC CONVERTER OVAL		P. 32
MINI-CONVERTER		P. 33
UNIVERSAL SILENCER		P. 33 - 34
UNIVERSAL SILENCER ROUND		P. 33
UNIVERSAL SILENCER OVAL		P. 34
HIGH PERFORMANCE TURBO MUFFLERS		P. 35
INLET CENTRAL		P. 35

UNIVERSAL STAINLESS STEEL TAILPIPE ROUND	P. 36
VW STAINLESS STEEL TAILPIPE ROUND WITH CHROMED EXTERNAL SURFACE	P. 37
UNIVERSAL STAINLESS STEEL TAILPIPE ROUND WITH ANGLE	P. 38
UNIVERSAL REPAIR COLLARS	P. 39
REPAIR FLANGE	P. 40 - 41
REPAIR HANGER	P. 42 - 43
UNIVERSAL HANGER	P. 44
PSA BODY CLAMPS	P. 45 - 48
LAMBA SENSOR	P. 49 - 50
LAMBA SENSOR PLUG	P. 49
LAMBA SENSOR NIPPLE	P. 50
TOOLS	P. 51
STORAGE HOOK	P. 51
CHEMICALS	P. 52
PUTTY PASTE	P. 52
REGENERATION ACTIVATOR & PREVENTION DOSE	P. 53
PETROL AND DIESEL ADDITIVES	P. 54
FUEL BORNE CATALYST FOR DPF	P. 55
GARAGE GURUS	PROFESSIONAL CATALYTIC CONVERTER DIAGNOSIS ON PETROL VEHICLES P. 56 - 57

STOCK CODES

CODE DE STOCK | LAGERSCHLÜSSEL | MAGAZIJN-CODES

EN The **stock code** aids customers in efficient stock handling. These codes are independent of the serial number. The following numerical codes are used on the exhaust system labels and in the catalogue illustrations.

FR Le **code de stock** aide les clients dans leur utilisation efficace de l'espace et de la manipulation de stock. Ces codes sont indépendants du numéro de série. Le code numéro suivant figure sur l'étiquette et dans les illustrations du catalogue.

DE Die **zweistelligen Lagerschlüssel** ermöglichen dem Kunden eine raumsparende, rationelle Lagerhaltung. Sie sind unabhängig von der Artikel-Nummer. Die nachstehend aufgeführten numerischen Schlüssel-Nummern sind auf den Teile-Etiketten und auch bei den Katalog Abbildungen angegeben.

NL De **magazijn-codes** maken het mogelijk ruimtebesparend en efficiënt gebruik te maken van de opslagruimten bij de voorraad behandeling. Deze codes staan onafhankelijk van het serienummer. De achterste codes staan zowel op het uitlaatsysteem etiket als in de illustraties Text in de catalogus vermeld.

ACCESSORIES

ACCESSOIRES | ZUBEHÖRTEILE | ACCESOIRES

GB		FR		DE		NL	
ACCESSORIES AND MISCELLANEOUS		ACCESSOIRES ET DIVERS		ZUBEHÖRTEILE UND DIVERSES		ACCESOIRES EN DIVERSEN	
CODE		CODE		SCHLÜSSEL		CODE	
71	Pipe under 20 cm	71	Tubes de moins de 20 cm	71	Rohre unter 20 cm	71	Pijpen korter dan 20 cm
78	Pieces of racking assembly	78	Éléments de stockage	78	Regalsystem-Teile	78	Rekkensysteem
85	Chemical products (Eolys, AdBlue, paste & putty)	85	Produits chimiques (Eolys, Additifs, pâtes à joint et mastics)	85	Chemikalien (Eolys, Additive, Paste & Kitt)	85	Chemische producten (Eolys, Toevoegingen, Montage pasta en afdicht pasta)

MOUNTING COMPONENTS

PIÈCES DE MONTAGE | MONTAGETEILE | MONTAGE ONDERDELEN

GB		FR		DE		NL	
MOUNTING COMPONENTS		PIÈCES DE MONTAGE		MONTAGETEILE		MONTAGE ONDERDELEN	
CODE		CODE		SCHLÜSSEL		CODE	
23	Hangers	23	Supports	23	Aufhängeteile	23	Hangers
24	Clamps	24	Colliers de serrage	24	Schellen	24	Klemmen
25	Bolts	25	Vis	25	Bolzen	25	Bouten
26	Miscellaneous mountings	26	Accessoires de montage divers	26	Verschiedene Zubehörteile	26	Diverse montageonderdelen
27	Connection pipes	27	Manchons	27	Rohrverbinder	27	Pijpverbinder
28	Tools	28	Outillage	28	Werkzeuge	28	Gereedschappen

INFORMATION

INFORMATION | INFORMATION | INFORMATIE

EN Every effort has been made to ensure the information in this catalogue is correct, but we cannot be responsible for any losses arising from errors or omissions. This catalogue supersedes all previous editions.

FR Nous avons rédigé ce catalogue avec le plus grand soin, mais en fonction de l'évolution très rapide des modèles, nous ne pourrions en aucun cas être tenus responsables de toutes erreurs ou omissions. Ce catalogue remplace toutes les éditions précédentes.

DE Die Informationen in diesem Katalog wurden so korrekt wie möglich erstellt. Für Nachteile, die aus Fehlern oder Auslassungen entstehen können wir jedoch nicht verantwortlich zeichnen. Alle früheren Ausgaben werden durch diesen Katalog ersetzt.

NL Alle mogelijke inspanningen werden gedaan om te verzekeren dat de informatie in deze catalogus correct is. Toch kunnen wij niet aansprakelijk gesteld worden voor fouten noch gebrekkige informatie. Deze catalogus vervangt alle vorige edities.

NOTES

NOTES | HINWEIS | AANTEKENINGEN

EN © 2022 COPYRIGHT WALKER EUROPE INC. Catalogue, illustrations and numbers are not to be reproduced, in whole or in part. Walker reserves the right to modify or discontinue the components illustrated in this catalogue. Car maker names and numbers are used for reference purposes only.

FR © 2022 COPYRIGHT WALKER EUROPE INC. La reproduction totale ou partielle du catalogue, des illustrations et des références est interdite. T.A.E. Inc. se réserve le droit de modifier ou de ne pas reproduire la fabrication des pièces figurant dans ce catalogue. Les marques de voitures et les références d'origine sont indiquées à titre de comparaison seulement.

DE © 2022 COPYRIGHT WALKER EUROPE INC. Vervielfältigungen des Katalogs, der Abbildungen oder Nummern - auch auszugsweise - sind nicht gestattet. Änderungen oder Einstellung der Produktion bestimmter Teile behalten wir uns vor. Original Teile - Nummern dienen nur als Vergleich, sie dürfen nicht in Rechnungen und Angeboten verwendet werden.

NL © 2022 COPYRIGHT WALKER EUROPE INC. Nadruk van deze catalogus of gedeelten hiervan, met inbegrip van alle illustraties en nummers is verboden. Het recht tot wijzigingen, evenals het recht om onderdelen uit productie te nemen is voorbehouden. Automerken en nummers zijn slechts voor verwijzings-doeleinden gebruikt.

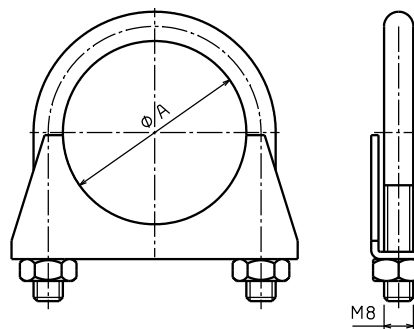
CLAMPS

COLLIERS | SCHELLEN | KLEMMEN

M8 UNIVERSAL CLAMPS

MM	INCH	WALKER REF. NO
25	1	82301
28	1 ¹ / ₈	82302
32	1 ¹ / ₄	82303
35	1 ³ / ₈	82304
38	1 ¹ / ₂	82305
40	1 ⁹ / ₁₆	82348
41,5	1 ⁵ / ₈	82306
43	1 ¹¹ / ₁₆	84285
44,5	1 ³ / ₄	82307
48	1 ⁷ / ₈	82308
50,8	2	82309
52	2 ¹ / ₁₆	82394
54	2 ¹ / ₈	82310
57	2 ¹ / ₄	82311
65	2 ¹ / ₂	82313
66,5	2 ⁵ / ₈	82314
70	2 ³ / ₄	82315
73	2 ⁷ / ₈	82316
76	3	82317
80	3 ¹ / ₈	84286
83	3 ¹ / ₄	82337
89	3 ¹ / ₂	82334
92	3 ⁵ / ₈	84287
95	3 ³ / ₄	82335
102	4	82336
106	4 ¹ / ₁₆	83269

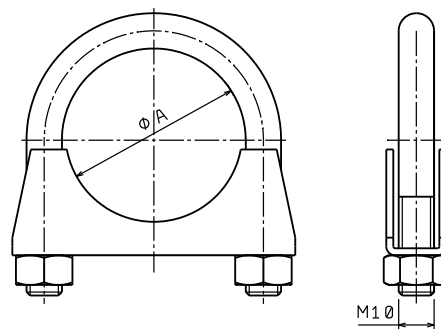
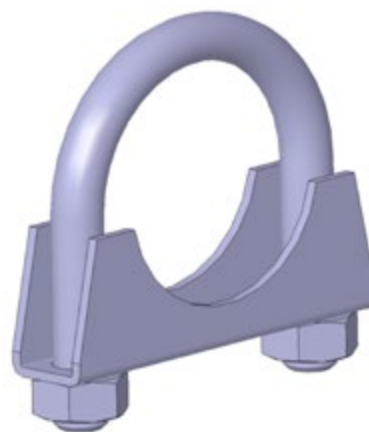
Stock code: 24



M10 UNIVERSAL CLAMPS

MM	INCH	WALKER REF. NO
42	1 ²¹ / ₃₂	82320
45	1 ³ / ₄	82321
48	1 ⁷ / ₈	82322
50	2	82346
52	2 ¹ / ₁₆	82325
54	2 ¹ / ₈	82326
58	2 ⁹ / ₃₂	82328
60	2 ³ / ₈	82350
65	2 ¹ / ₂	80339
70	2 ³ / ₄	80493

Stock code: 24



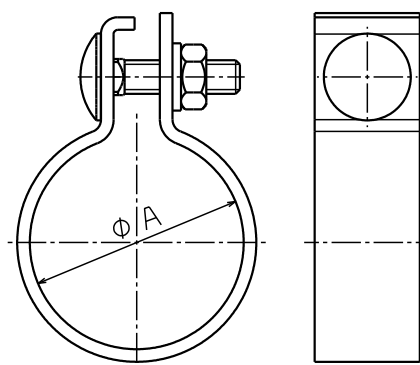
BANDCLAMPS		
MM	INCH	WALKER REF. NO
45,5		81914
48		81917
50,8		81971
53		80890
54		81990
57		80299

Stock code: 24

The simple, effective way to connect exhaust component that may require additional retaining capabilities.

APPLICATION

- Connecting exhaust pipe and silencers.
- Due to its simple design, the clamp can also be fitted with an additional bracket and is then suitable for use as a retaining clamp.



VOLVO/RENAULT - CLAMP	
MM	WALKER REF. NO
39 - 42	81821
52 - 55	81813
55 - 58	81815
61 - 62	81872
62 - 65	81835

Stock code: 24

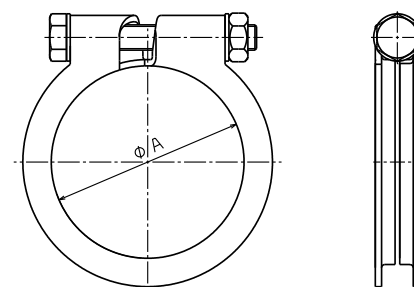
The simple, effective way to connect exhaust component. Exclusive design ensures fast, easy and accurate installation.

APPLICATION

Exhaust pipe clamps that securely and reliably connect pipes which fit into each other. The self adjusting design compensates for pipe connections that are subject to extreme thermal fluctuations and therefore are especially suitable for connecting exhaust pipes and silencers in automotive applications.

TECHNICAL FEATURES

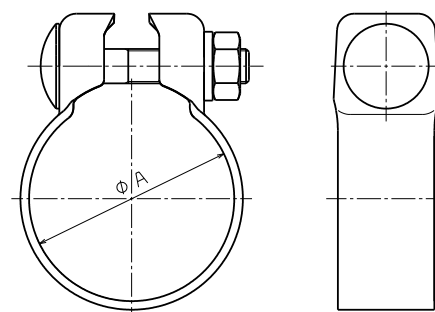
1. One piece clamp band offers a uniform contact pressure on the pipe circumference, ensuring high sealing efficiency.
2. Self-adjusting design which compensates for temperature fluctuations.
3. Compact design means ease of assembly even in confined spaces.
4. Rounded band edges ensures tube protection and protection against injury.
5. Material W1 - Corrosion resistance in salt spray testing - min. 144h



VAG CLAMPS

MM	WALKER REF. NO
38,5	81980
42,5	81982
45,5	81983
48,5	81985
52,3	81988
54,5	81990
59,5	80249
62,5	80365
65	80169
66,5	80746

Stock code: 24



SPECIAL CLAMPS

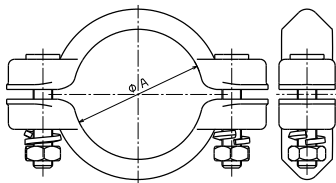
COLLIERS | SCHELLEN | KLEMMEN

Ø A CLAMPING

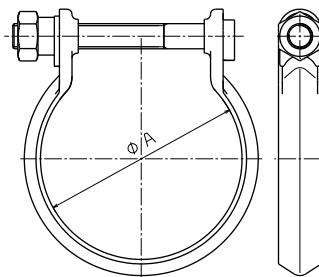
MM	1/2	RING	RING + GASKET
44,6 - 48	82526		
48,5 - 50	82486		
50,5 - 51,5	86191		
53,5 - 55	82487		
57,5 - 59	86019	80562	
59,5 - 60	86212		
60 - 61	86095		
61,5 - 63	86206		
65,5 - 67	82501	80439	
68,5 - 70		80438	
72,5 - 74	86170		
77,5 - 79		80477	
79,5 - 81	86219	80464	80825
89,5 - 91		80910	

Stock code: 24

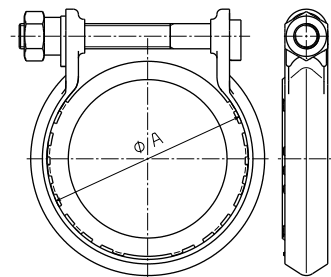
1/2 CLAMP



RING CLAMP



RING CLAMP W/ GASKET

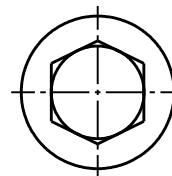
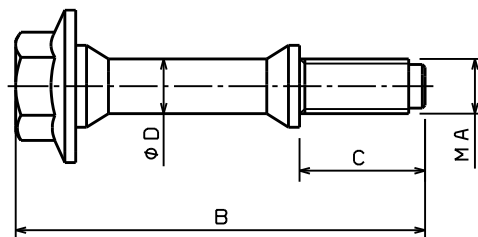
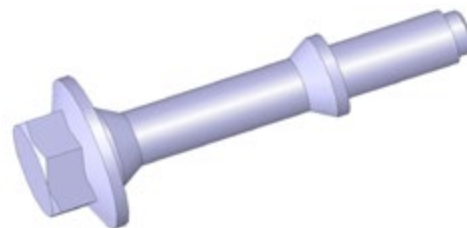


SPECIAL BOLTS

VIS SPÉCIALES | SPEZIAL SCHRAUBEN | SPECIALE BOUTEN

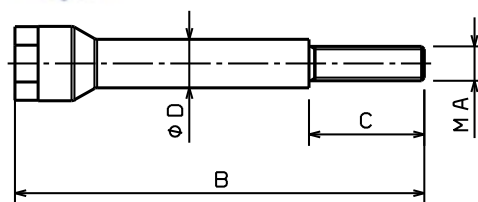
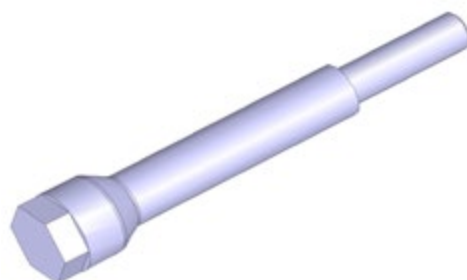
	MAX B	C	D	
MAKE	MM	MM	MM	WALKER REF. NO
Honda	M8 x 69	20	8	83169
Suzuki	M10 x 75	23	10	83170

Stock code: 25



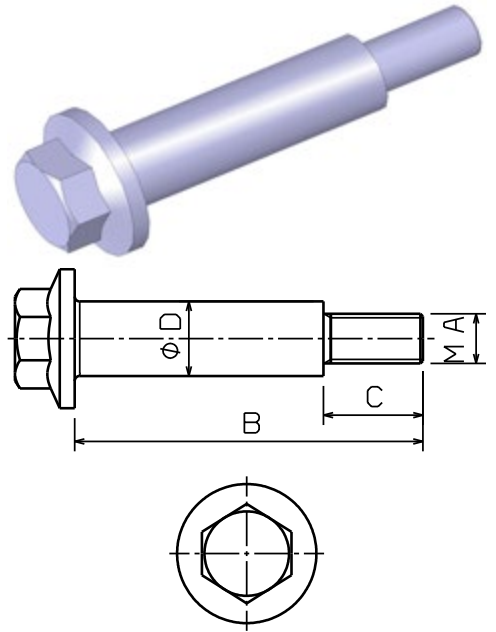
	MAX B	C	D	
MAKE	MM	MM	MM	WALKER REF. NO
Citroën	M6 x 67	15	8.5	83180
Citroën	M6 x 71	15	8.5	83181

Stock code: 25



	MAX B	C	D	
MAKE	MM	MM	MM	WALKER REF. NO
Opel	M10 x 57	20	13	83155
Ford	M10 x 70	20	15	83193
Opel Vectra	M8 x 62	20	10	83194

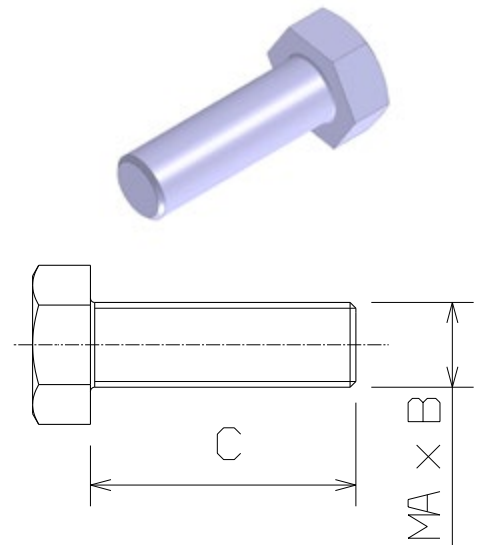
Stock code: 25



UNIVERSAL BOLTS

MAX B	C	
MM	MM	WALKER REF. NO
M10 x 1.25	40	80657
M8 x 1.25	16	83110

Stock code: 25



CONNECTION PIPES

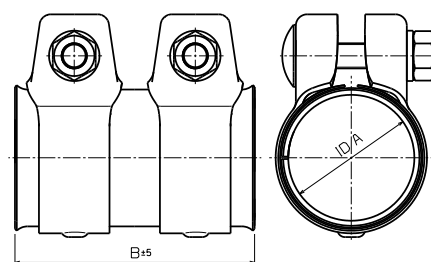
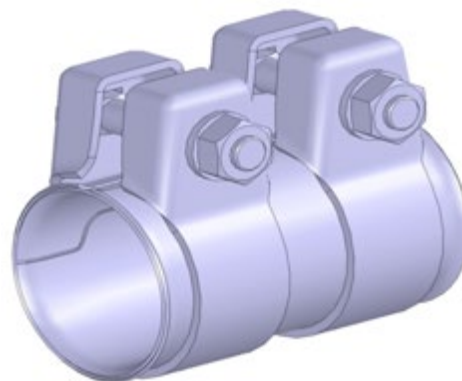
MACHONS | ROHRVERBINDER | PIJPVERBINDERS

CONNECTION PIPES VAG TYPES*

ID A	B±5		
MM	MM	WALKER REF. NO	VAG OE NO.
36	95	80707	1.565.492
38	95	80708	8Z0.253.141
40	90	80710	1S0.253.141
40	125	80709	
43	90	80711	1.556.170
43	125	86142	191.253.141.A
45	95	80713	1H0.253.141.B
45	125	80712	1736.05
48	90	80715	6.158.964
48	125	80714	
50	90	86152	893.253.139
50	125	86150	191.253.141.F
52	90	80724	6.054.349
54	90	80716	
55	80	80190	1.048.509
55	95	80250	357.253.141.A
55	125	80138	1H0.253.141.A
58	90	80717	
60	90	80718	1K0.253.141.H
60	125	80719	893.253.139.C
65	80	80720	1K0.253.141.J
65	90	80722	1K0.253.141.P
65	125	80721	8L9.253.139.A
70	80	80723	18.30.7.560.780

Stock code: 27

*Aluminised



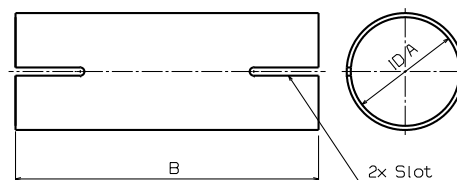
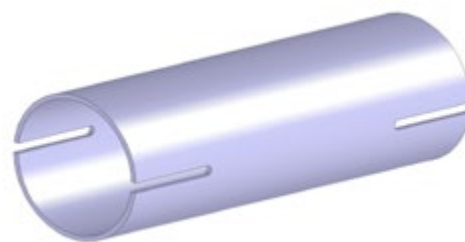
CONNECTION PIPES WITHOUT CLAMPS*

ID A	B	
MM	MM	WALKER REF. NO
38.5	115	82477
41.5	110	82591
42.5	110	82480
45	95	86132
45.5	110	80370
45.5	135	82463
48.5	110	80371
50.5	125	82553
52	100	32016
52.5	110	80375
52.5	125	82593
54.5	90	82466
55.5	110	80372
60.5	110	80373
60.5	125	82594
64	150	32041

Stock code: 27

Thickness of the pipes 1.5mm

*Aluminised

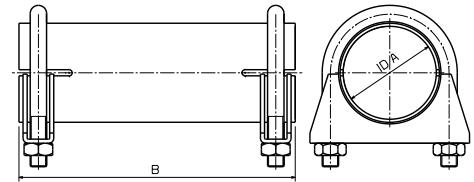
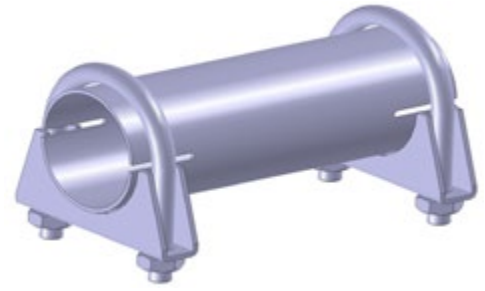


CONNECTION PIPE AND U- CLAMPS M10*

ID A	B	
MM	MM	WALKER REF. NO
38.5	115	86038
41.5	110	86041
42.5	110	86042
44.5	90	86044
45.5	135	86045
48.5	130	86048
50.5	125	86050
52.5	125	86052
54.5	90	86054
60.5	125	86060

Stock code: 27

*Aluminised

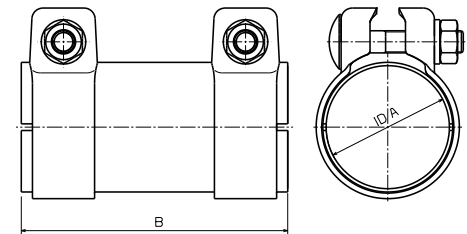
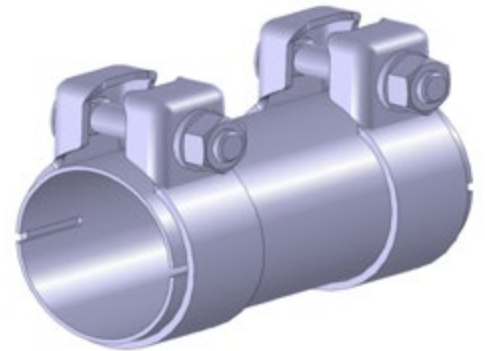


CONNECTION PIPE AND VAG CLAMPS*

ID A	B	
MM	MM	WALKER REF. NO
35.5	110	86135
38	115	86138
41.5	110	80709
44.5	90	80711
45.5	135	86145
48.5	130	86148
50	95	86130
55	90	86154
60	120	80719

Stock code: 27

*Aluminised

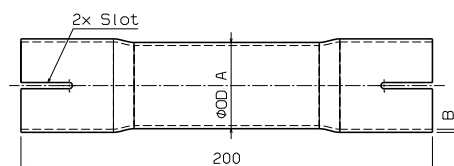
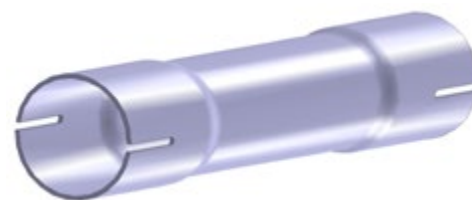


CONNECTION PIPE LENGTH 20CM

TURBULURES DE RACCORDEMENT 20 CM | ROHRVERLÄNGERUNGEN 20 CM | VERLENGSTUKKEN 20 CM

OUTER DIAMETER DIAMÈTRE EXTÉRIEUR AUSSENDURCHMESSER BUITENDIAMETER	WALL THICKNESS ÉPAISSEUR WANDDICKE WANDDIKTE	
Ø OD A	B	WALKER REF. NO
35	1.2	07155
38	1.2	07157
42	1.2	07159
45	1.2	07163
48	1.5	07165
50.8	1.5	07167
54	1.5	07169
57	1.5	07171
60	1.5	07173

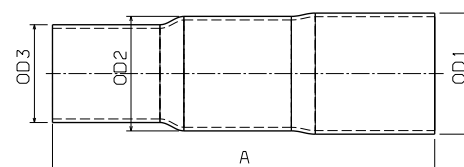
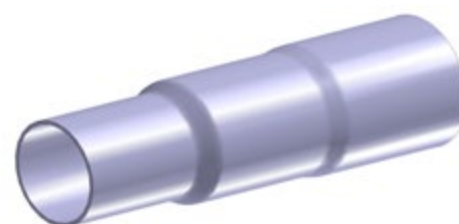
Stock code: 71



ALUMINISED 3-STEP REDUCTION PIPE

OD 1		OD 2	OD 3	THICKNESS	A	
MM	INCH	MM	MM	MM	MM	WALKER REF. NO
63.5	2 ½	57	50.8	1.5	200	32040
76.2	3	67	63.5	1.5	195	32048

Stock code: 61



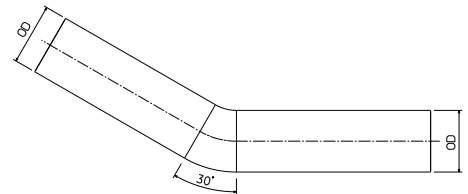
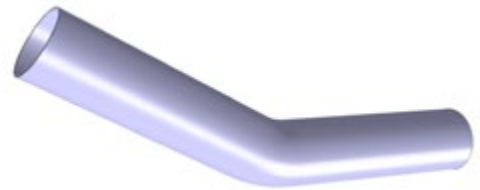
ALUMINISED EXHAUST BENDS

RACCORDS COUDÉS | ROHRBOGEN | LASBOCHTEN

ANGLE 30°

Ø O.D. - O.D.		THICKNESS	TOTAL LENGTH	
MM	INCH	MM	MM	WALKER REF. NO
76	3	1,5	500	07039

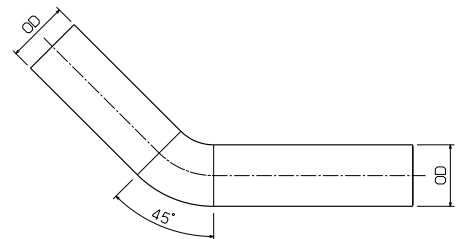
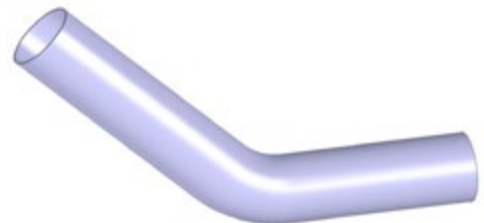
Stock code: 61



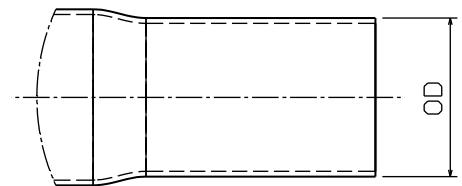
ANGLE 45°

Ø O.D. - O.D.		THICKNESS	TOTAL LENGTH	
MM	INCH	MM	MM	WALKER REF. NO
35	1 ³ / ₈	1,5	260	07008
38	1 ¹ / ₂	1,5	270	10812
41*	1 ⁵ / ₈	1,5	420	07012
44,5*	1 ³ / ₄	1,5	440	07014
47,5*	1 ⁷ / ₈	1,5	460	07016
51**	2	1,5	480	07018
54	2 ¹ / ₈	1,5	500	07020
60	2 ³ / ₈	1,5	400	07022

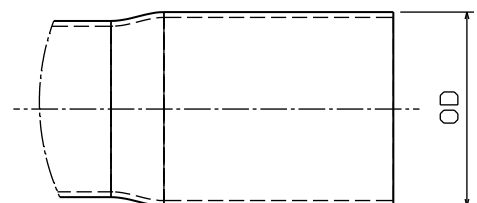
Stock code: 61



* TUBE OD REDUCTION



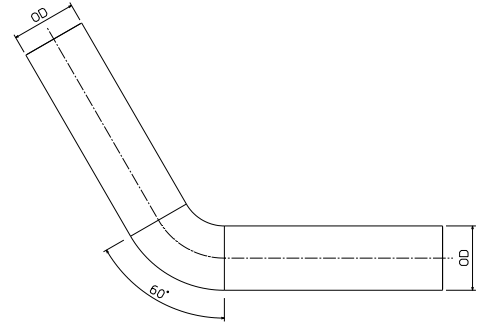
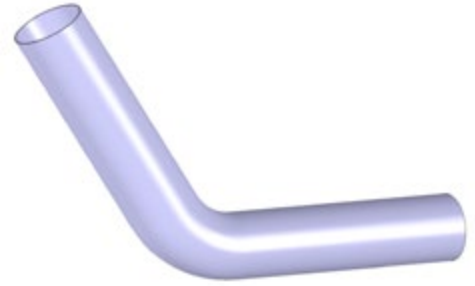
** TUBE OD EXPANSION



ANGLE 60°

Ø O.D. - O.D.		THICKNESS	TOTAL LENGTH	
MM	INCH	MM	MM	WALKER REF. NO
76	3	1,5	600	07046

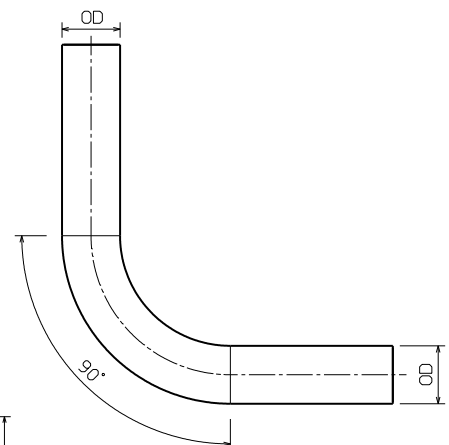
Stock code: 61



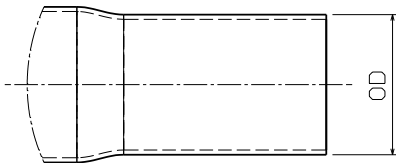
ANGLE 90°

Ø O.D. - O.D.		THICKNESS	TOTAL LENGTH	
MM	INCH	MM	MM	WALKER REF. NO
32	1¼	1,5	350	07005
35	1⅜	1,5	380	07007
38	1½	1,5	400	07009
41.5*	1⅝	1,5	420	07011
44.5*	1¾	1,5	440	07013
47.5*	1⅞	1,5	460	07015
51	2	1,5	480	07017
54	2⅛	1,5	510	07019
57*	2¼	1,5	540	07021
60	2⅜	1,5	650	07023
64	2½	1,5	600	07025
70	2¾	1,5	500	07027
76 / 76,5**	3	1,5	550	07029

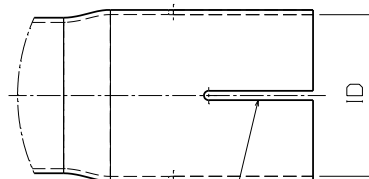
Stock code: 61



* TUBE OD REDUCTION



** ONE SIDE OF TUBE HAS EXPANSION AND SLOTS



Slots 4x 90°

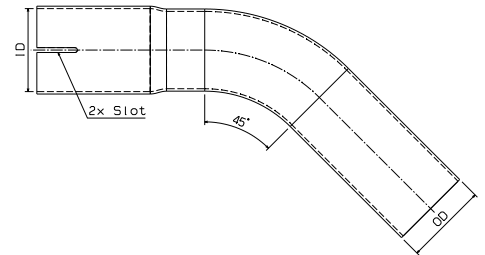
ALUMINISED EXHAUST BENDS WITH SLOTS

RACCORDS COUDÉS | ROHRBOGEN | LASBOCHTEN

ANGLE 45°

Ø O.D. - O.D.		THICKNESS	TOTAL LENGTH	
MM	INCH	MM	MM	WALKER REF. NO
64	2½	1,5	310	32033

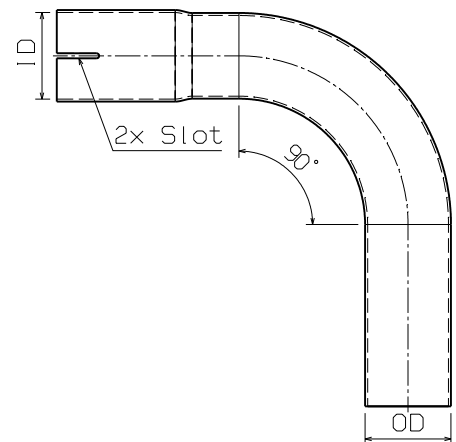
Stock code: 61



ANGLE 90°

Ø O.D. - O.D.		THICKNESS	TOTAL LENGTH	
MM	INCH	MM	MM	WALKER REF. NO
51.3	2	50.8	375	32019
64	2½	63.5	410	32035

Stock code: 61

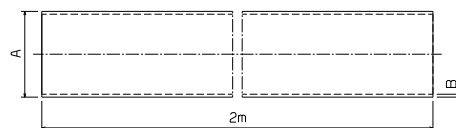


STRAIGHT TUBING 2 METERS

TUBES DROITS | GERADE ROHRE 2 M | RECHTE PIJPEN 2M

OUTER DIAMETER DIAMÈTRE EXTÉRIEUR AUSSENDURCHMESSER BUITENDIAMETER	WALL THICKNESS ÉPAISSEUR WANDDICKE WANDDIKTE	
Ø OD A	B	WALKER REF. NO
32	1.5	10816
35	1.5	10817
38	1.5	09887
40	1.5	10818
42	1.5	09889
45	1.5	09891
48	1.5	10819
50	1.5	09811
50.8	2	09778
51	1.5	09895
54	2	10831
54	1.5	09900
57	1.5	09780
60	1.5	09810
64	1.5	10847
70	1.5	10834
76	1.5	09784

Stock code: 66

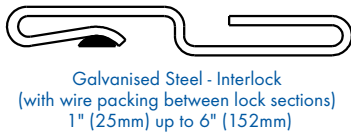


FLEXIBLE TUBING: CIRCULAR PROFILE

CIRCULAR INTERLOCK SECTION WITH COPPER WIRE PACKING

- **Advantages:**
Offer better sealing/leakage characteristics for exhaust gases.
- **Disadvantages:**
Stiffer flex section, less flexibility to absorb vibrations and movement, due to the copper wire packing between the interlock sections.

CIRCULAR INTERLOCK SECTION

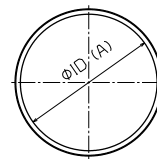
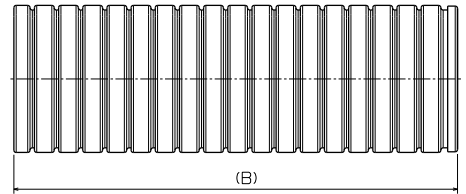
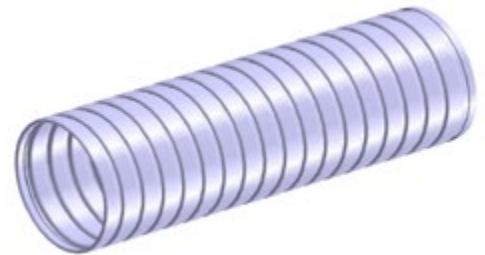


CIRCULAR INTERLOCK SECTION (with copper wire packing)



GALVANISED		
Ø OD A		B LENGTH: 2000 MM
INCH	MM	WALKER REF. NO
1¼	32	09903
1⅜	35	09904
1½	38	09905
1⅝	41	09906
1¾	44	09907
1⅞	48	09908
2	51	09909
2⅞	54	09910
2⅞	60	10842

Stock code: 66



Temperature limit for Galvanised Steel Circular: 230°C

FLEXIBLE TUBING: POLYGONAL PROFILE 1.000

POLYGONAL INTERLOCK SECTION WITHOUT COPPER WIRE PACKING

- NOTE:**
 Has a cosmetically better appearance compared to circular section tubing.

POLYGONAL INTERLOCK SECTION

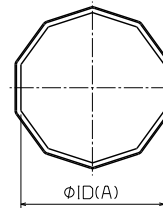
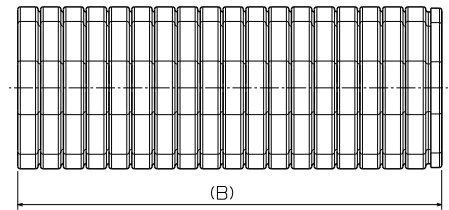
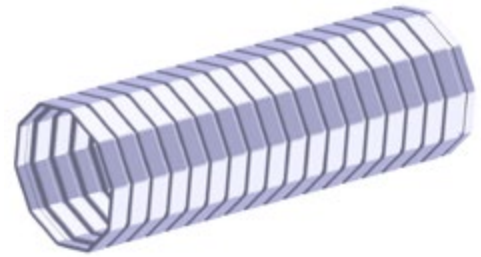


Galvanised Steel - Interlock
 (without wire packing between lock sections)
 30mm up to 125mm

POLYGONAL INTERLOCK SECTION (without copper wire packing)



GALVANISED		
Ø OD A		B LENGTH: 2000 MM
INCH	MM	WALKER REF. NO
1 ³ / ₁₆	30	09820
1 ³ / ₈	35	09821
1 ⁷ / ₁₆	40	09822
1 ¹¹ / ₁₆	42	09823
1 ³ / ₄	45	09824
2	50	09826
2 ³ / ₄	55	09827
2 ³ / ₈	60	09828
2 ⁷ / ₁₆	65	09829
2 ³ / ₄	70	09830
3	75	09839
3 ³ / ₈	80	09832

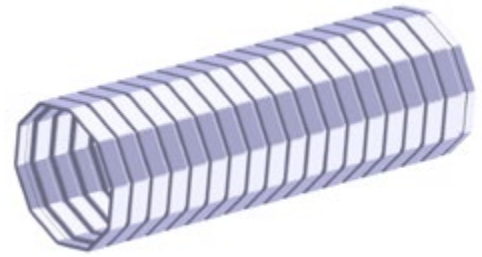


Temperature limit for
 Galvanised Steel Polygonal: 230 °C

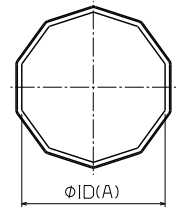
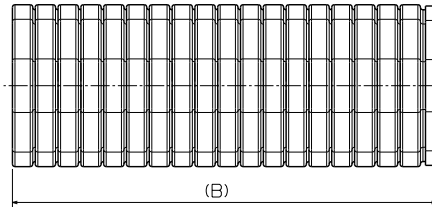
FLEXIBLE TUBING: POLYGONAL PROFILE 2.000

GALVANISED

Ø OD A		B LENGTH: 2000 MM
INCH	MM	WALKER REF. NO
1 ³ / ₈	35	10821
1 ³ / ₄	45	10824
1 ⁷ / ₈	48	10825
2	50	10826
2 ³ / ₄	55	10827
2 ⁷ / ₈	60	10828



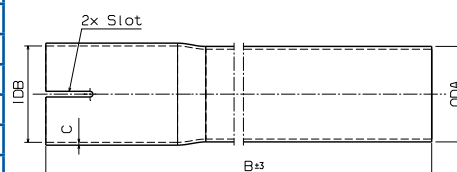
Temperature limit for Galvanised Steel Polygonal: 230 °C



PIPE EXTENSIONS

TUBES D'EXTENSION | ROHRVERLÄNGERUNGEN | VERLENGSTUKKEN

INSIDE DIAMETER DIAMÈTRE INTÉRIEUR INNENDURCHMESSER BINNENDIAMETER	OUTER DIAMETER DIAMÈTRE EXTÉRIEUR AUSSENDURCHMESSER BUTENDIAMETER	WALL THICKNESS ÉPAISSEUR WANDDICKE WANDDIKTE	LENGTH	
Ø OD B	Ø OD A	C	B	WALKER REF. NO
MM	MM	MM	MM	
35.5	35	1.2	500	07045
38.5	38	1.2	500	07047
42.5	42	1.2	500	07049
43.5	43	1.2	500	07051
45.5	45	1.5	500	07053
48.5	48	1.5	500	07055
51.5	51	1.5	500	07057
54.5	54	1.5	500	07058
57.5	57	1.5	500	07059
60.5	60	1.5	500	07060
51.3	50.8	1.5	1000	32015
64	63.5	1.5	1000	32030

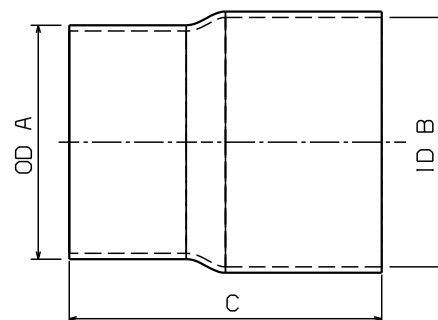
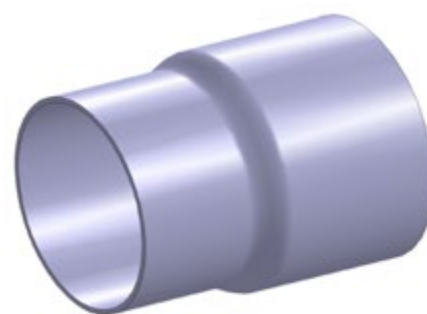


Stock code: 62

REDUCING BUSHING

RACCORDS RÉDUCTION | ROHRREDUZIERUNGEN | REDUCEERBUSSEN

WITHOUT SLOTS			
Ø OD A OUTSIDE	Ø OD B INSIDE	C LENGTH	
MM	MM	MM	WALKER REF. NO
35	38.5	75	07107
38	42	80	07109
41.5	45	80	07111
44.5	48	80	07113
47.5	50.5	80	07115
50	54.5	80	07117
54	58	80	07119
57	61	80	07121
60	64	80	07123

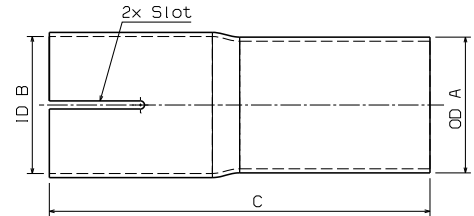


Stock code: 71

WITH SLOTS

Ø OD A OUTSIDE	Ø OD B INSIDE	C LENGTH	
MM	MM	MM	WALKER REF. NO
50	50.5	140	07104
50	54.5	140	10813

Stock code: 71

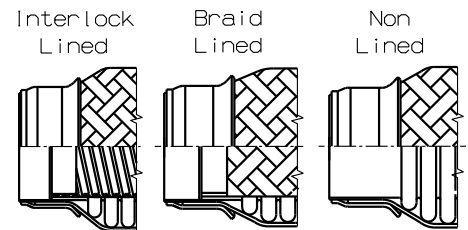


FLEX PIPES

TUBES FLEXIBLES | FLEXROHRE | FLEXIBELE PIJPEN

LINING TYPES

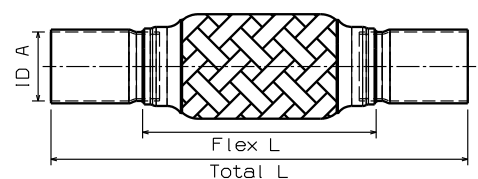
- **Interlock Lined** - this part is used when flex is very closed to the cat/manifold, high heat applications, severe noise, poor road conditions, problem vehicles.
- **Braid Lined** - this part is used higher heat applications, closer to the cat/manifold and where there are noise whistling problems two into one tube applications.
- **Non Lined** - this part is used down stream from cat and manifold in lower heat applications and suitable for most general applications.



FLEX WITH PIPES

ID A	FLEX L	TOTAL L		
MM	MM	MM	QUALITY	WALKER REF. NO
25.5	125	155	Interlock	04641
35.5	203	254	Braid	10399
42.5	158	272	Interlock	10396
45.5	165	272	Interlock	52134
45.5	210	322	Braid	08920
45.5	210	373	Interlock	13488
48.5	105	160	Braid	10407
48.5	210	245	Braid	08922
48.5	158	272	Interlock	10397
48.5	225	275	Braid	16365
48.5	210	410	Braid	01087
50.5	158	272	Braid	10382
50.5	208	322	Braid	10398
51.4	254	282	Braid	10409
51.4	180	430	Braid	12275
54.6	230	370	Braid	10412
57.8	160	203.2	Braid	10413
60.7	203.2	254	Braid	12272

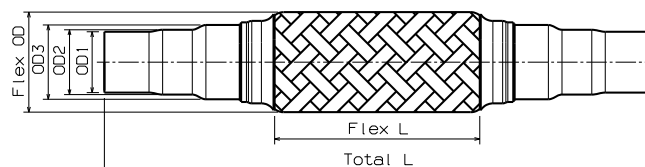
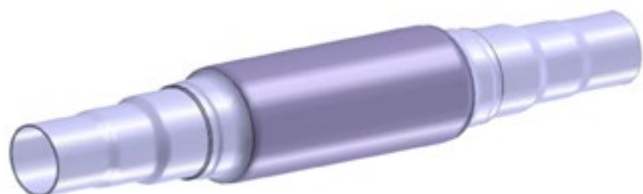
Stock code: 61



FLEX 3-STEP PIPES - NON LINED

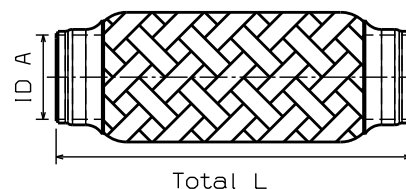
OD 1	OD 2	OD 3	FLEX OD	FLEX L	TOTAL L		
MM	MM	MM	MM	MM	MM	QUALITY	WALKER REF. NO
45	48	55	74	183	183	Non lined	08924

Stock code: 61



FLEX WITHOUT PIPES

ID A	TOTAL L		
MM	MM	QUALITY	WALKER REF. NO
38.5	152.4	Braid	08926
42.5	203.2	Braid	10402
45.5	98	Interlock	05251
45.5	101.6	Braid	10400
45.5	152.4	Braid	10401
45.5	190	Braid	10406
45.5	192	Interlock	05249
45.5	230	Braid	10403
45.5	262	Braid	10404
48.5	208	Interlock	10384
50.5	101.6	Interlock	07192
50.5	254	Braid	10387
51.4	101.6	Braid	08934
51.4	152.4	Braid	10408
51.4	165	Braid	52133
51.4	188	Interlock	05320
51.4	203.2	Braid	10410
51.4	230	Braid	10411
51.4	254	Braid	08933
54.6	105	Interlock	10388
54.6	152.4	Braid	08939
54.6	190	Interlock	05321
54.6	203.2	Braid	08937
54.6	220	Braid	08940
54.6	254	Braid	08938
54.6	282	Braid	08941
55.6	101.6	Braid	08942
55.6	190	Interlock	10391
60.7	116	Interlock	10389
60.7	152.4	Braid	10414
60.7	305	Braid	08944
64.2	203.2	Braid	08945
64.2	254	Braid	08946
73	152.4	Interlock	10390
76.9	203.2	Braid	10415

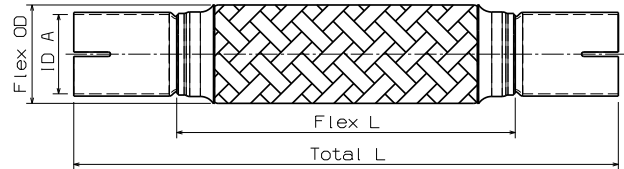
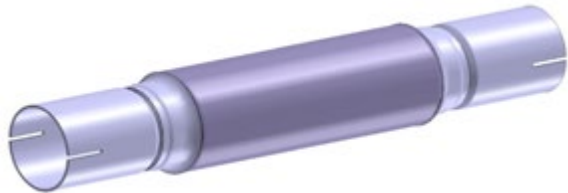


Stock code: 61 & 71

FLEX WITH PIPES AND SLOTS - NON LINED

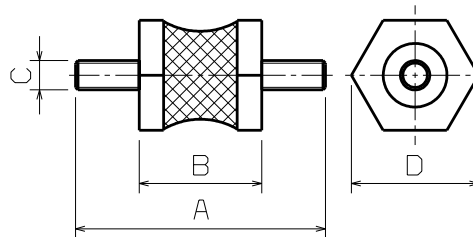
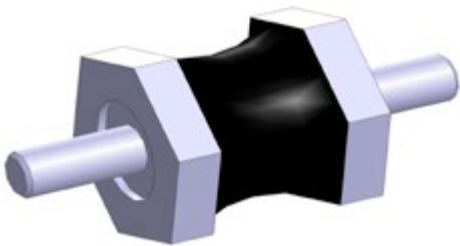
ID A	FLEX OD	FLEX L	TOTAL L		
MM	MM	MM	MM	QUALITY	WALKER REF. NO
54	67	230	370	Non lined	14052

Stock code: 61

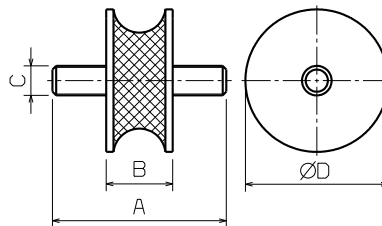
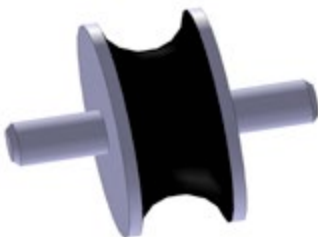


FLEX PIPES & INSULATOR BLOCKS

HEXAGONAL



CIRCULAR



A	B	C	D		
MM	MM	THREAD	MM		WALKER REF. NO
51	25	M6	26	Hexa.	81229
60	24	M8	26	Hexa.	81230
65	27	M8	48.5	Hexa.	81245
64	27	M10	47	Hexa.	84054
58	21	M8	29	Circul.	81354
47	18	5/16	34	Circul.	84166

Stock code: 22

HOSE CLIP ASSORTMENT BOX

The effective way for sealing applications under high mechanical loads. Exclusive design ensures fast, easy and accurate installation.

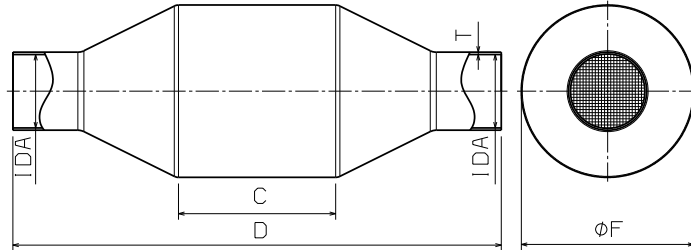
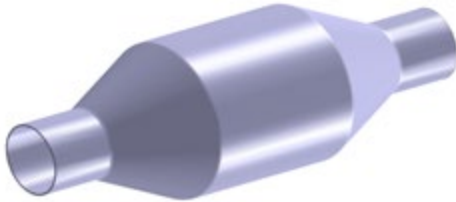
DESCRIPTION	CLAMPING RANGE	BAND WIDTH	QUANTITY	WALKER REF. NO
	MM	MM		
Hose Clip Assortment Box 120pcs	8-12	9	24	64761
	10-16	9	22	
	12-22	9	24	
	16-27	12	24	
	20-32	12	10	
	25-40	12	16	
	TOTAL		120	



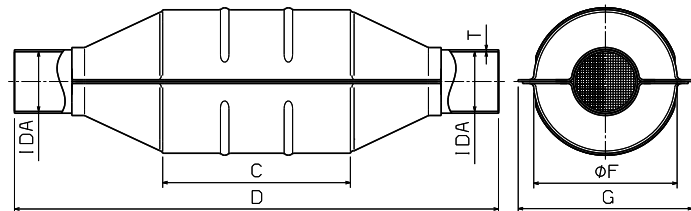
Stock code: 24

UNIVERSAL CATALYTIC CONVERTER ROUND

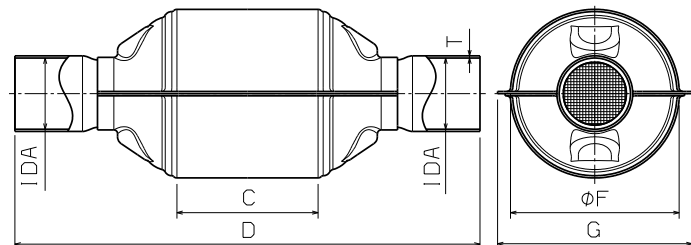
BOX ROLLED



BOX SHELL



BOX SHELL WITH FLATTENING FOR SOCKET

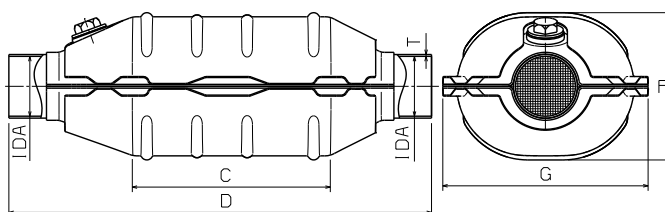


INLET/ OUTLET	BOX LENGTH	TOTAL LENGTH	BOX ϕ OD	BOX WIDTH	THICKNESS TUBE	TYPE OF BOX	FUEL	MAX ENGINE SIZE/ VEHICLE WEIGHT	
ϕ OD A	C	D	F	G	T				
MM	MM	MM	MM	MM	MM				WALKER REF. NO
45.5	104.6	318	112.4	-	1.5	Rolled	Petrol	2.0 / 2000kg	65200
50.5	101.6	315	112.4	-	1.5	Rolled	Petrol	2.0 / 2000KG	65201
47	152.4	380	113	133	1.5	Shell	Diesel	2.0 / 2000KG	66936
50.5	101.6	310	113	133	1.5	Shell + flattening	Petrol	2.0 / 2000KG	67990

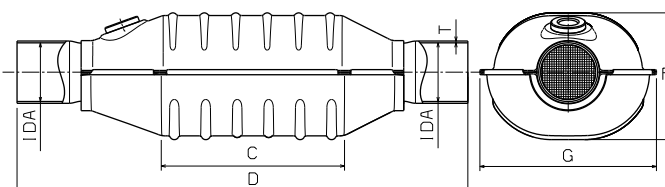
Stock code: 91

UNIVERSAL CATALYTIC CONVERTER OVAL

TYPE 1 OF DESIGN



TYPE 2 OF DESIGN



	BOX LENGTH	TOTAL LENGTH	BOX HEIGHT	BOX WIDTH	THICK TUBE	TYPE OF BOX	HEAT SHIELD	LAMBDA SOCKET	FUEL	MAX ENGINE SIZE/ VEHICLE WEIGHT	
IDA	C	D	F	G	T						
MM	MM	MM	MM	MM	MM						WALKER REF. NO
50.8	155	337	95	157	1.5	1	Only lower	Without	Petrol	3.0/2000kg	66923
57.1	155	337	95	157	1.5	1	Only lower	Without	Petrol	3.0/2000kg	66924
50.8	155	337	105	157	1.5	1	Upper & lower	Socket & plug M18	Petrol	3.0/2000kg	66925
47	155	367	103	148	1.5	2	Only lower	Without	Petrol	1.8/2000kg	66940
50.5	155	387	103	148	1.5	2	Only lower	Without	Petrol	2.0/2000kg	66995
55.5	155	387	103	148	1.5	2	Only lower	Without	Petrol	2.0/2000kg	66996

Stock code: 91

MINI-CONVERTER

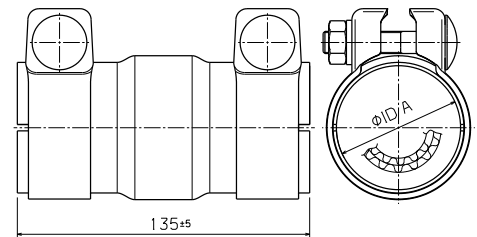
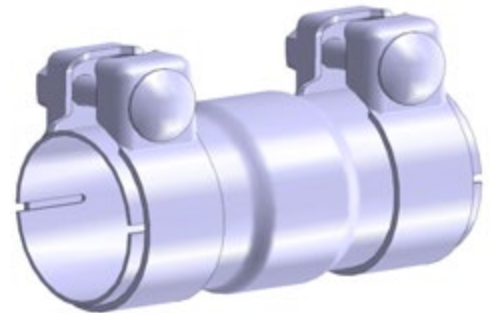
With the new Walker Mini-Converter you can reduce your car taxes* and at the same time help to protect the environment. The highly precious metal coating allows to switch from Euro 1 to Euro 2 and for some cars even to D3.

THE MINI-CONVERTER PACKAGE INCLUDES

- Mounting guidelines
- Request Form for car tax reduction

Ø OD A	MINI-CONVERTER PETROL
MM	WALKER REF. NO
42.5	69000
45.5	69001
50.5	69002
55.5	69003
60.5	69007

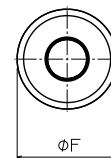
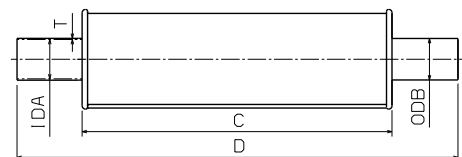
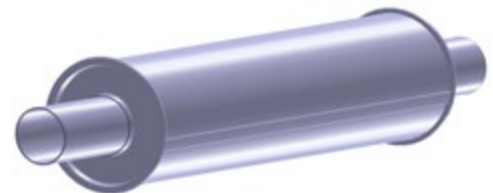
Stock code: 91



UNIVERSAL SILENCER ROUND

INLET		OUTLET		BOX LENGTH	TOTAL LENGTH	BOX OD	THICKNESS TUBE	
Ø OD A	Ø OD B		C	D	F	T		
MM	MM	INCH	MM	MM	MM	MM		WALKER REF. NO
42.5	50.8	2	380	540	120	1.5		09736
60.5	60	2 ³ / ₈	380	540	120	1.5		09738

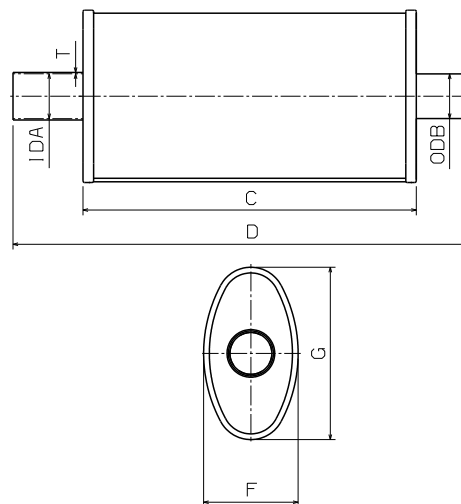
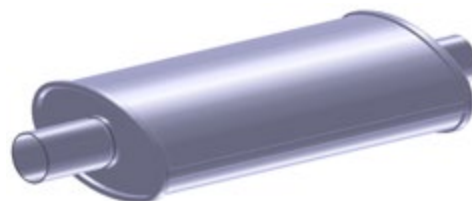
Stock code: 51



UNIVERSAL SILENCER OVAL

INLET		OUTLET		BOX LENGTH	TOTAL LENGTH	BOX OD	BOX WIDTH	THICKNESS TUBE	
Ø OD A	Ø OD B			C	D	F	G	T	
MM	MM	INCH	MM	MM	MM	MM	MM	MM	WALKER REF. NO
60.5	60	2 ³ / ₈	380	505	108	197	1.5		09739

Stock code: 51



HIGH PERFORMANCE TURBO MUFFLERS

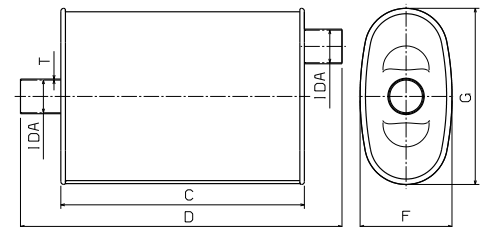
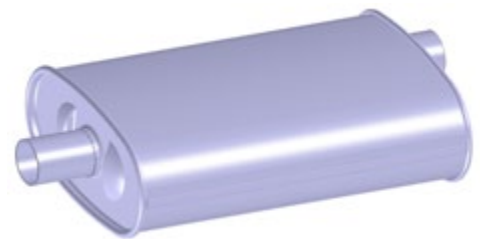
- Patented Flow Directors Channel Exhaust Flow for Maximum Power.
- 100% Aluminised Materials for Sharp Appearance and Long Life.
- Fiberglass Matting Delivers a Mellow, True Performance Sound.
- Reduces Backpressure for Increased Horsepower and Fuel Economy.
- Spun Locked Heads for Positive Seal to Resist Damage from Backfiring.
- Internal Drainage System Reduces Corrosion.
- Large Diameter Flow Tubes for High Volume Gas-flow Provide Low Backpressure.

*Silencers without EU homologatio

INLET CENTRAL

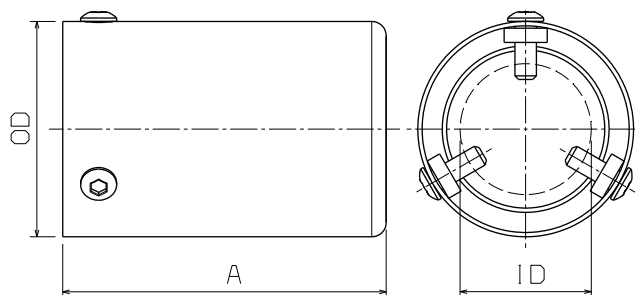
INLET/OUTLET		BOX LENGTH	TOTAL LENGTH	BOX OD	THICKNESS TUBE	THICKNESS TUBE	
Ø ODA		C	D	F	G	T	
MM	INCH	MM	MM	MM	MM	MM	WALKER REF. NO
50.8	2	355	470	117	265	1.5	14881
57.1	2¼	355	470	117	265	1.5	14882
63.5	2½	355	470	117	265	1.5	14884

Stock code: 51

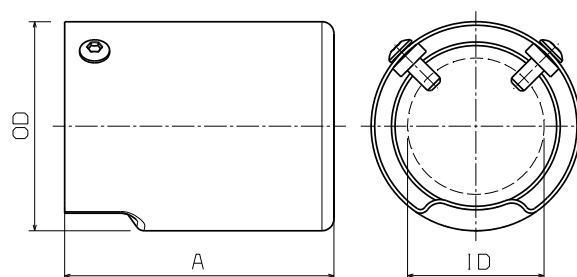
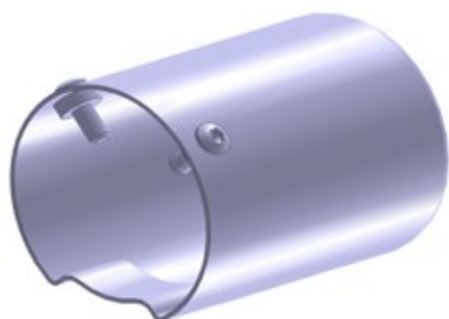


UNIVERSAL STAINLESS STEEL TAILPIPE ROUND

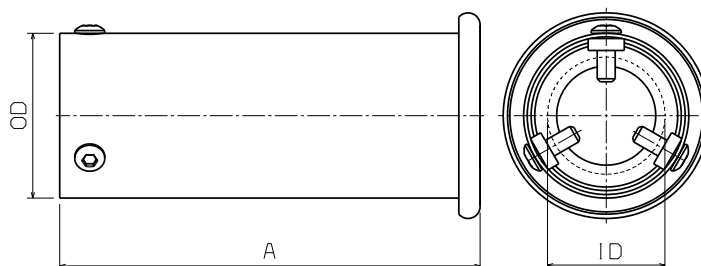
BOX ROLLED



BOX SHELL



BOX SHELL WITH FLATTENING FOR SOCKET



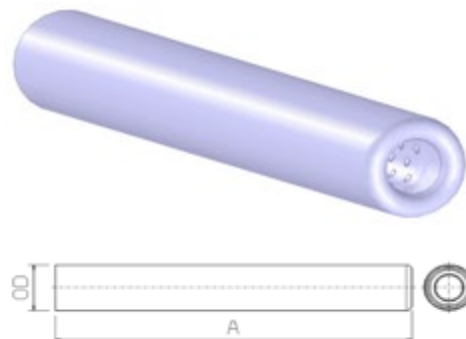
Ø OD A	OD	A	THICKNESS			
MM	MM	MM	MM	TYPE	FOR MODEL	WALKER REF. NO
35-48	60	90	1.2	1	Suzuki/GM	10666
45-65	76	70	1.2	1	BMW/Mini	10682
42-50	70	90	1.2	2	Daihatsu/Toyota/Honda/MG	10664

Stock code: 71

VW STAINLESS STEEL TAILPIPE ROUND WITH CHROMED EXTERNAL SURFACE

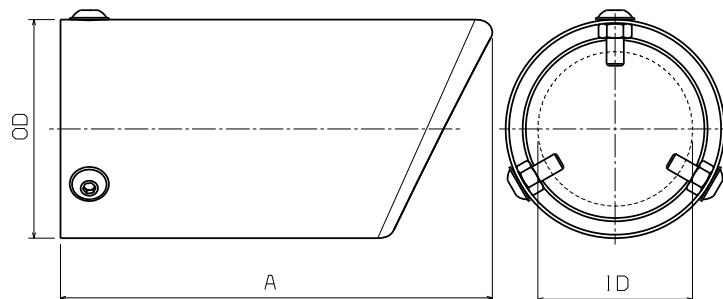
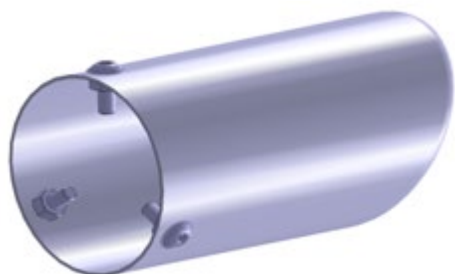
OUTER DIAMETER DIAMÈTRE EX- TÉRIEUR AUSSENDURCH- MESSER BUTENDIAMETER				
Ø OD A	A	THICKNESS		
MM	MM	MM	FOR MODEL	WALKER REF. NO
35	250	Outside 1.0 Inside 1.5	VOLKSWAGEN 1302/1303/ Beetle/Beetle 1302 1303/Kaefer/Kaver	04725

Stock code: 71

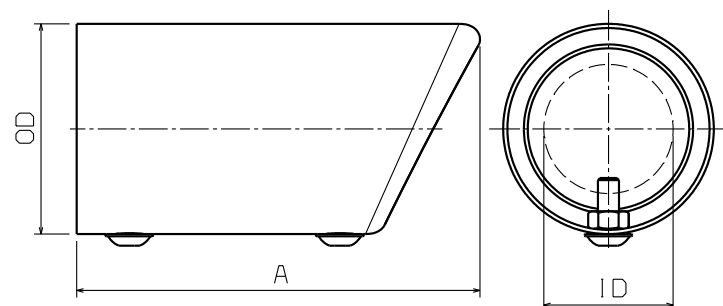


UNIVERSAL STAINLESS STEEL TAILPIPE ROUND WITH ANGLE

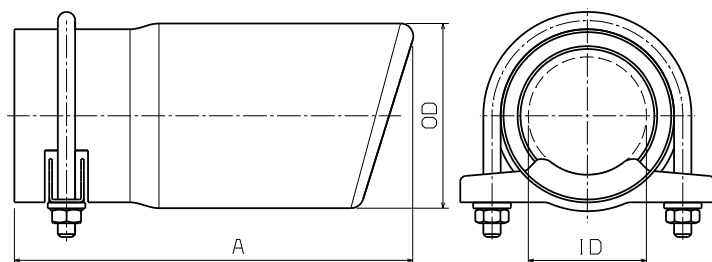
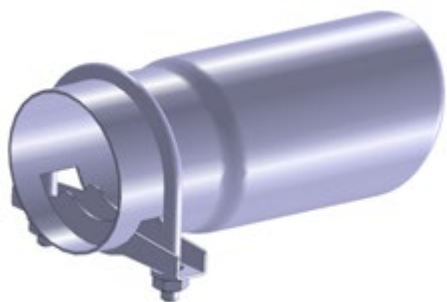
TYPE 1 WITH THREE BOLTS



TYPE 2 WITH TWO BOLTS



TYPE 3 WITH CLAMP



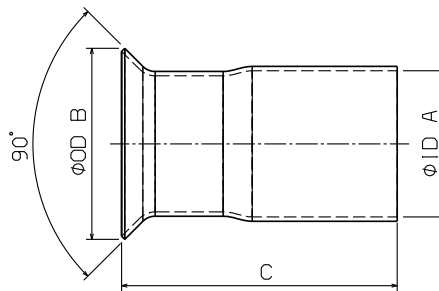
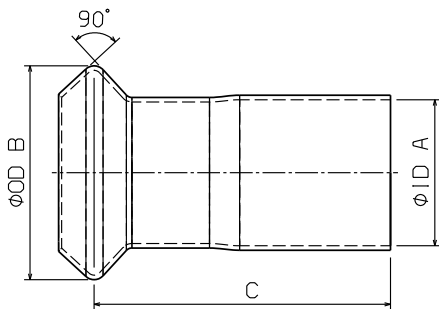
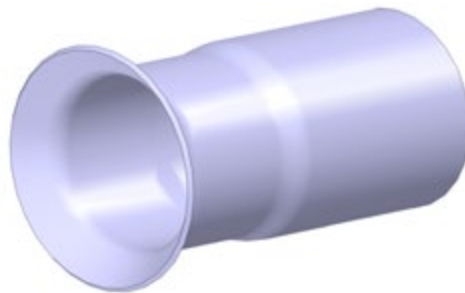
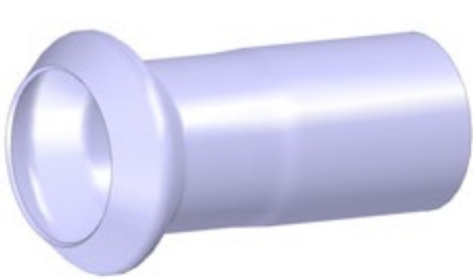
ID RANGE	OD	A	THICKNESS			
MM	MM	MM	MM	TYPE	FOR MODEL	WALKER REF. NO
45-65	76	150	1.2	1	Volvo/Saab	10671
45-50	60	115	1.2	2	VW/Seat/Skoda/Audi/SAAB	10681
42-57	64	135	1.2	3	Toyota	10426

Stock code: 71

UNIVERSAL REPAIR COLLARS

INSIDE DIAMETER DIAMÈTRE INTÉRIEUR INNENDURCHMESSER BINNENDIAMETER	OUTER DIAMETER DIAMÈTRE EXTÉRIEUR AUSSENDURCHMESSER BUTENDIAMETER	LENGTH		
Ø OD A	Ø OD B	C		
MM	MM	MM	TYPE OF COLLAR	WALKER REF. NO
48.5	68	80	Single	07621
50.5	66	95	Single	07187
50.5	66	220	Single	07186
50.5	70	80	Single	07624
54.5	70	120	Single	07620
60.5	78	120	Single	07622
48.5	71	100	Double	07623
54.5	73	100	Double	07631

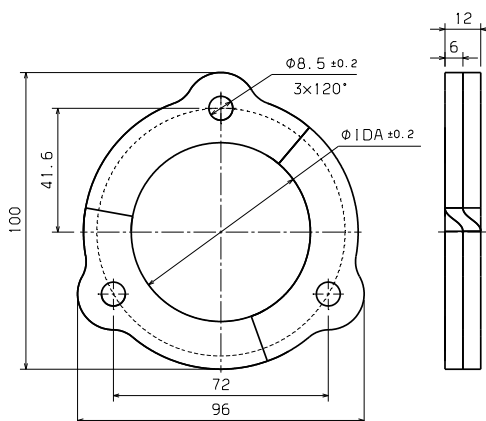
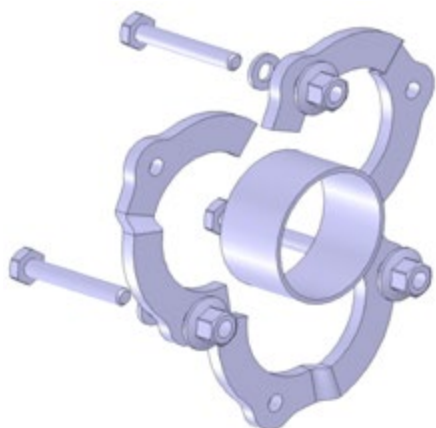
Stock code: 61



REPAIR FLANGE

DESCRIPTION	PACKAGE CONTAINS	Ø ID A MM	WALKER REF. NO
Volvo 740; 940 Used in CAT Converter 20079; 20419	3x Bolt M8 3x Nut M8 3x Gasket M8	60	80315

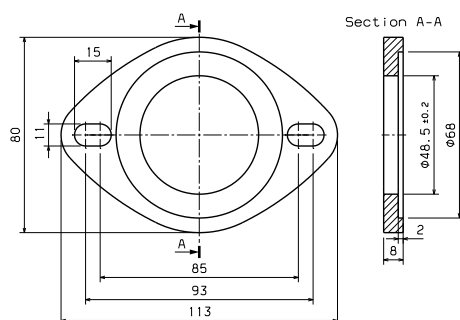
Stock code: 26



ST 37-2 (S235JR / 1.0037)

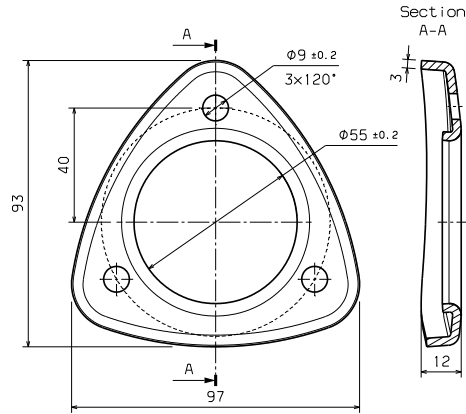
DESCRIPTION	WALKER REF. NO
TOYOTA Carina E 1.6 Used in CAT Converter 20084	80391

Stock code: 26



DESCRIPTION	WALKER REF. NO
Volvo 240; 740; 940 Used in CAT Converter 19186	82509

Stock code: 26

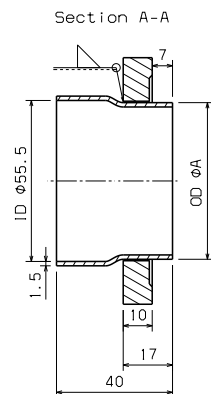
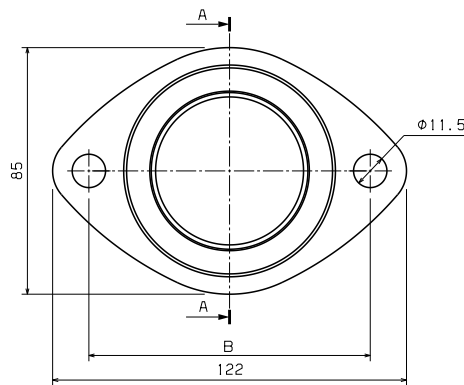
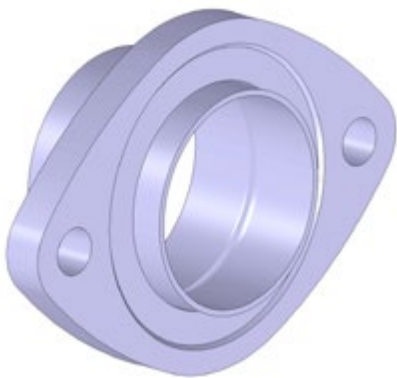


Flange: ST 37-2 (S235JR / 1.0037)

Pipe: BHT (1.0309 + AS120)

	MINI-CONVERTER PETROL	Ø OD A	HOLE SPACING B	
DESCRIPTION	PACKAGE CONTAINS	MM	MM	WALKER REF. NO
TOYOTA Avensis/Carina E 1.8/2.0 Used in CAT Converter 20524	Pipe welded to Flange + Gasket	54	97	09965
TOYOTA Carina E 1.6 Used in CAT Converter 20084	Pipe welded to Flange	48	93	09967

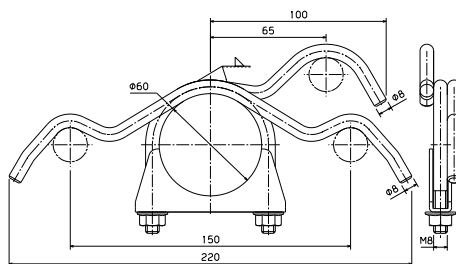
Stock code: 91



REPAIR HANGER

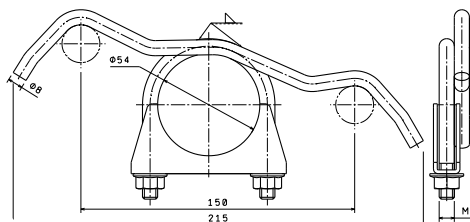
DESPRICTION	WALKER REF. NO
Volvo 850; V70 I; S70; Used in Rear Silencer 18275	80301

Stock code: 23



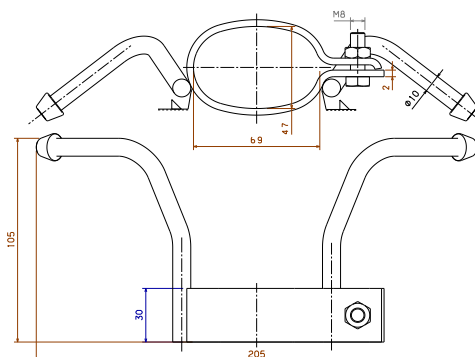
DESPRICTION	WALKER REF. NO
Volvo 850 Combi; V70 I; S70; Used in Rear Silencer	80313

Stock code: 23



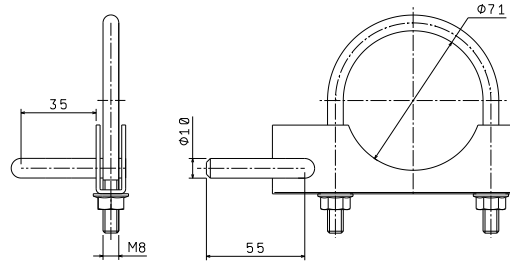
DESPRICTION	WALKER REF. NO
Volvo V70 II; S60; S80 Used in Intermediate Silencer	80352

Stock code: 23



DESCRIPTION	WALKER REF. NO
Volvo V70 II; S60; S80 Used in Intermediate Silencer	87596

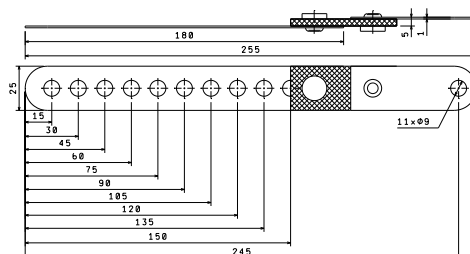
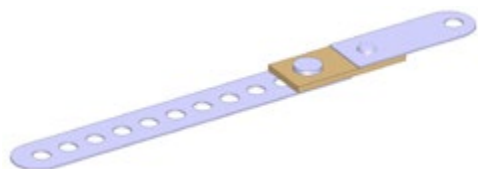
Stock code: 23



UNIVERSAL HANGER

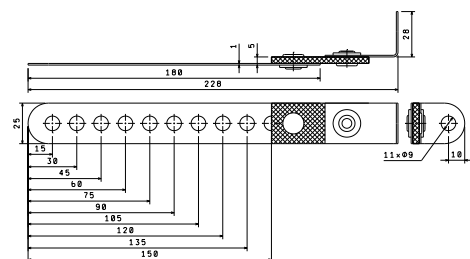
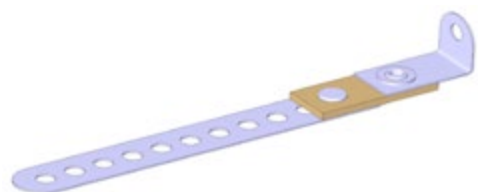
DESPRICTION	WALKER REF. NO
Universal Hanger	81557

Stock code: 23



DESPRICTION	WALKER REF. NO
Universal Hanger	81558

Stock code: 23

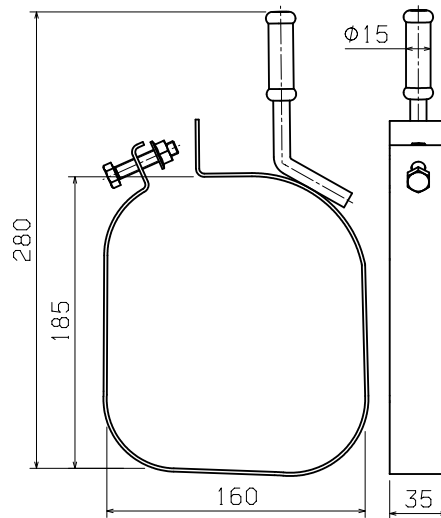


PSA BODY CLAMPS

PSA CLAMP WALKER REF. NO	FITS FOR OE# SILENCER	MODEL	SILENCER WALKER REF.
80594	1726-NW, 1730-C5, 1726-ZH, 1730-45	Citroën C3 1.6l Peugeot 1007 1.6	22309

Stock code: 23

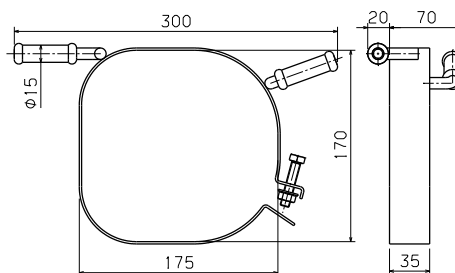
*Body Clamp fits only for original PSA Silencer.
*WALKER provides Body Clamp as welding suspension with Silencer.
Silencer WALKER no. is listed for reference only.



PSA CLAMP WALKER REF. NO	FITS FOR OE# SILENCER	MODEL	SILENCER WALKER REF.
80595	1726-VJ	CITROËN Xsara Picasso 1.6 HDi	22867
80595	1726-TY, 1726-EN	CITROËN Xsara Picasso 1.6i	22844
80595	1726-TX, 1726EP	CITROËN Xsara Picasso 2.0 HDi	72178

Stock code: 23

*Body Clamp fits only for original PSA Silencer.
*WALKER provides Body Clamp as welding suspension with Silencer.
Silencer WALKER no. is listed for reference only.

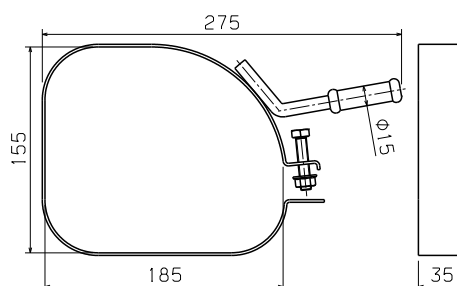


PSA CLAMP WALKER REF. NO	FITS FOR OE# SILENCER	MODEL	SILENCER WALKER REF.
80596	1726-WT, 1726-KL, 1726-KX, 1726-RJ, 1726-WA, 1726-WS, 1726-WZ, 1730-26, 1730-50, 1730-H8	CITROËN C4 1.6 HDi / 2.0 HDi PEUGEOT 307 1.6 HDi / 2.0 HDi	71211
80596	1726-KW, 1726-LL, 1726-LN, 1726-RH, 1726-SN, 1726-TJ, 1726-WY, 1730-51, 1730-C1	PEUGEOT 307 2.0i/1.6 HDi/2.0 HDi	22622

Stock code: 23

*Body Clamp fits only for original PSA Silencer.

*WALKER provides Body Clamp as welding suspension with Silencer.
Silencer WALKER no. is listed for reference only.

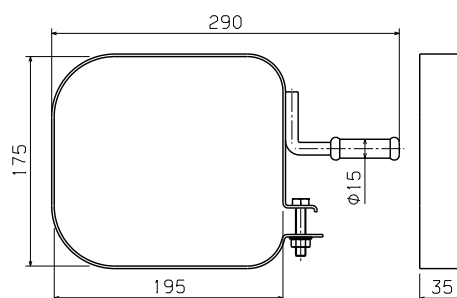
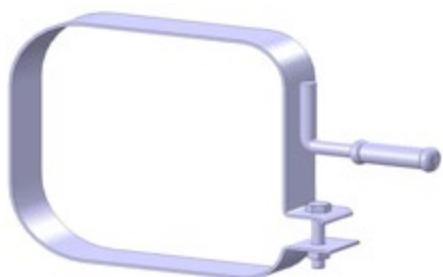


PSA CLAMP WALKER REF. NO	FITS FOR OE# SILENCER	MODEL	SILENCER WALKER REF.
80597	1726-NQ, 1726-XQ, 1726-ZP, 1730-J8	CITROËN C2, C3 1.4 HDi PEUGEOT 1007 1.4 HDi	22954

Stock code: 23

*Body Clamp fits only for original PSA Silencer.

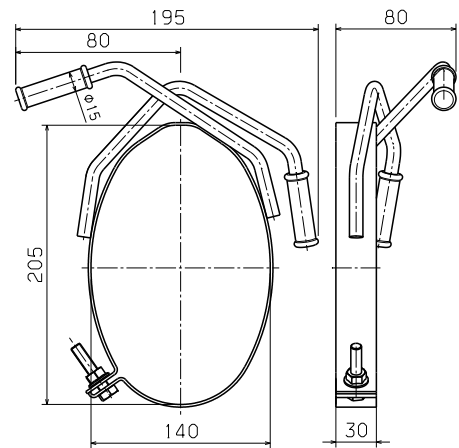
*WALKER provides Body Clamp as welding suspension with Silencer.
Silencer WALKER no. is listed for reference only.



PSA CLAMP WALKER REF. NO	FITS FOR OE# SILENCER	MODEL	SILENCER WALKER REF.
80598	1726-AG, 1726-AH, 1726-N5, 1726-N6, 1726-N7, 1726-N8, 1726-QT, 1726-VC, 1726-W7, 1726-W8, 1726-KH, 1726-KY, 1730-N4, 1730P1, 1730-Q1, 1730-Q3	CITROËN Berlingo 1.1i/ 1.4i/ 1.6i/ 1.8i/ 1.9D PEUGEOT Partner 1.1i/ 1.4i/ 1.6i/ 1.8i/ 1.9D	21993
80598	1726-GN, 1726-KY, 1726-KZ	CITROËN Berlingo 2.0 HDi PEUGEOT Partner 2.0 HDi	22293

Stock code: 23

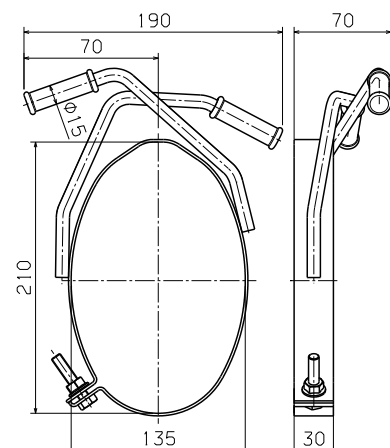
- *Body Clamp fits only for original PSA Silencer.
- *WALKER provides Body Clamp as welding suspension with Silencer. Silencer WALKER no. is listed for reference only.



PSA CLAMP WALKER REF. NO	FITS FOR OE# SILENCER	MODEL	SILENCER WALKER REF.
80605	1726-VF, 1726-KG, 1726-QV, 1726VG, 1726-YC, 1726-YE, 1730-11, 1730-12, 1730-A4, 1730-A5, 1730-Q8	CITROËN Berlingo 1.6i/ 1.6HDi/ 2.0HDi PEUGEOT Partner 1.6i/ 1.6HDi/ 2.0HDi	23289

Stock code: 23

- *Body Clamp fits only for original PSA Silencer.
- *WALKER provides Body Clamp as welding suspension with Silencer. Silencer WALKER no. is listed for reference only.

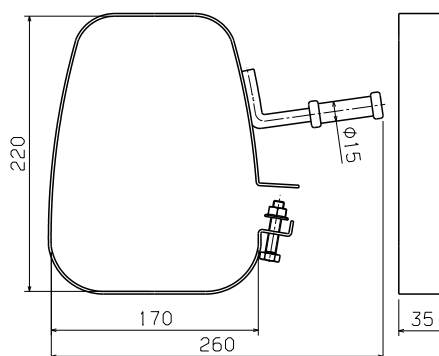
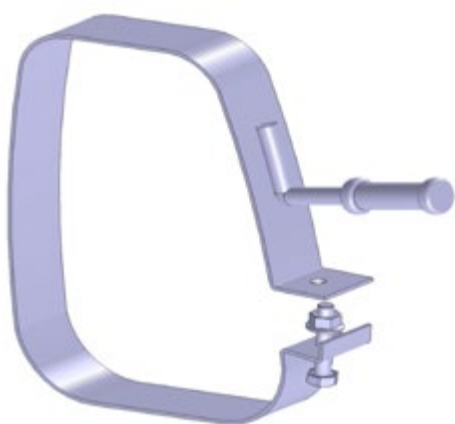


PSA CLAMP WALKER REF. NO	FITS FOR OE# SILENCER	MODEL	SILENCER WALKER REF.
80606	1730-78, 1730-77	Peugeot 207 1.4i	23228
80606	1730-83	Peugeot 207 1.4i	23224
80606	1730-85	Peugeot 207 1.6i	23227
80606	1730-79	Peugeot 207 1.6i	23226
80606	1730-82	Peugeot 207 1.6Hdi	23223
80606	1730-AE, 1730-AA, 1730-94	Peugeot 207 1.6HDi	23390
80606	1730-84	Peugeot 207 1.6HDi	23225
80606	1730-93, 1730-80, 1730-AC	Peugeot 207 1.6HDi	23391

Stock code: 23

*Body Clamp fits only for original PSA Silencer.

*WALKER provides Body Clamp as welding suspension with Silencer.
Silencer WALKER no. is listed for reference only.

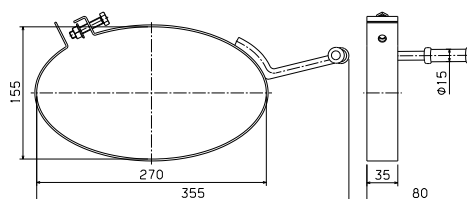


PSA CLAMP WALKER REF. NO	FITS FOR OE# SILENCER	MODEL	SILENCER WALKER REF.
80610	1726-VX, 1726-VN, 1726-PX, 1726-PY, 1726-VT	PEUGEOT 206 SW 1.6 / 2.0HDi	22800
80610	1726-VY, 1726-NZ	PEUGEOT 206 SW 1.1i / 1.4i / 1.6i	22734

Stock code: 23

*Body Clamp fits only for original PSA Silencer.

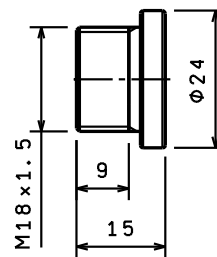
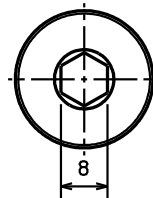
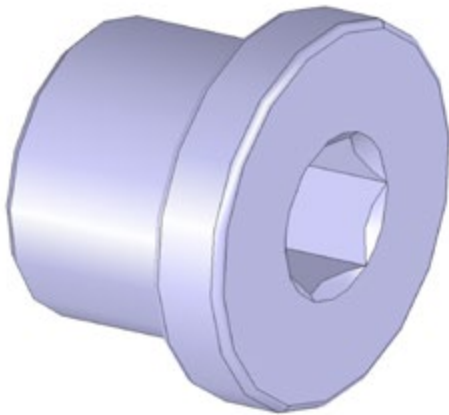
*WALKER provides Body Clamp as welding suspension with Silencer.
Silencer WALKER no. is listed for reference only.



LAMBA SENSOR PLUG

DIMENSIONS	WALKER REF. NO
M18 x 1.5mm DIN 908	83294

Stock code: 26

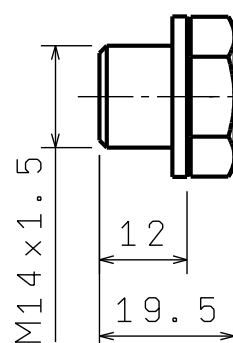
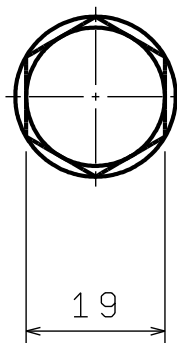
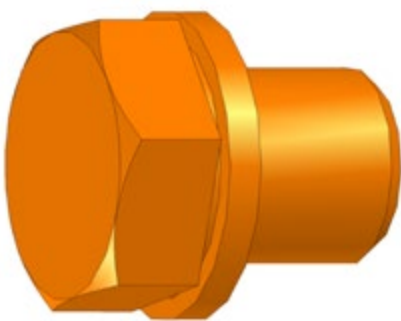


MAX TORQUE

40-55Nm

DIMENSIONS	WALKER REF. NO
M14 x 1.5mm	80877

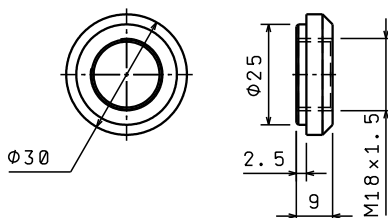
Stock code: 25



LAMBA SENSOR NIPPLE

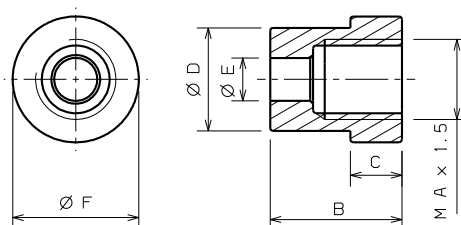
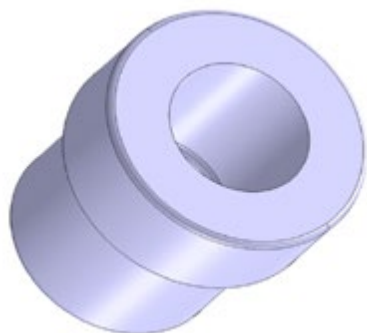
DIMENSIONS	WALKER REF. NO
M18 x 1.5mm	80433

Stock code: 26



MA	B	C	ϕD	ϕE	ϕF	WALKER REF. NO
20	28	10	26	12.5	30	83020

Stock code: 26



STORAGE HOOK

TYPE	WALKER REF. NO
1	07079
2	18099

Stock code: 28

TYPE 1 WITHOUT LOOP



TYPE 2 WITH LOOP



PUTTY PASTE

PRODUCT	EXHAUST JOINTING PASTE			EXHAUST SEALING PUTTY
	TUBE	CARTRIDGE		TUBE
CONTENTS PACK QTY.	140g/12	250g/12	500g/12	250g/12
WALKER REF.NO	13633	13634	17661	17662

Stock code: 28

PASTE

- Easy working
- Resistant to 700°C
- Leak proof seal

Use **Walker Exhaust Jointing Paste** for assembly of exhaust parts **only after** catalytic converter or DPF. Jointing paste should always be applied only to areas of possible leakage in connections between exhaust parts, -like sleeves and flanges. Do never apply excessive amount of paste to avoid lumps in exhaust system.



SAFETY WARNINGS

Always wear gloves. (Rubber or neoprene gloves are not recommended for this type of job). Never use sealing paste before the catalytic converter unit (to fix the exhaust manifold or catalytic converter). Exhaust paste contains silicone which, if placed before the catalytic converter, will damage the monolith and destroy the catalytic converter function. Always use original gaskets to seal these units. Sealing paste irritates the eyes. Protect your eyes with glasses (if the paste comes into contact with the eyes, rinse them immediately with water and seek medical advice, if necessary). Keep out of the reach of children.

REGENERATION ACTIVATOR & PREVENTION DOSE

PRODUCT	REGENERATION ACTIVATOR	PREVENTION DOSE
CONTENTS	1,5L	250ml
WALKER REF.NO	80611	80613

Stock code: 85

REGENERATION ACTIVATOR

Solution

- Regeneration activator for Diesel engine is a high concentration additive derived from a partnership between Tenneco and engine specialist Spheretech
- Its formula is based on the reactants which will eliminate by oxidation, soot and particles which originally block turbocharges, DPF & catalytic convertors.

Advantages

- Essential for a annual curative injectors & pumps maintenance.
- Restores the injection cycles (main injections, post injections), releases the flow of exhaust gas and restores the efficiency of DPF regeneration.
- Prevents & descaled by oxidation the turbo and its variable geometry without disassembly.
- Reduces the smokes and facilitates the MOT inspection.
- Engine gets softer, quieter and more fuel-efficient : better performance.
- An economic response to costly replacements.



PREVENTION DOSE

Solution

- Helps DPF to regenerate.
- Prevents carbon deposits and particulates into the DPF unit.
- Highly recommended for urban driving cycle and short driving cycle.
- Disintegrates deposits during combustion.
- Exhaust valves, piston heads and combustion chambers are descaled, which allows the engine to work under optimal level of performance.
- Provides very high protection of diesel injection systems.
- Cleans and lubricates the low & high pressure pumps & injectors.
- Neutralizes condensation and prevents deposit in the fuel tank.
- Increases cetane and restores the original injections.

Advantages

- Reduces fuel consumption.
- Stabilizes idling.
- Increases engine life.
- Reduces exhaust smoke.
- Reduces pollution.
- Improves acceleration.



PETROL AND DIESEL ADDITIVES

NEW

PRODUCT	DIESEL MULTIFUNCTIONAL TREATMENT	
CONTENTS	250ml	1L
WALKER REF.NO	84014	84016

Stock code: 85



Diesel 250ml
WALKER Ref. 84014

Diesel 1L
WALKER Ref. 84016

PRODUCT	PETROL MULTIFUNCTIONAL TREATMENT	
CONTENTS	250ml	1L
WALKER REF.NO	84015	84017

Stock code: 85



Petrol 250ml
WALKER Ref. 84015

Petrol 1L
WALKER Ref. 84017

MULTI-FUNCTION TREATMENTS

Cleans & Protects:

- Injectors
- High Pressure pump
- Turbo
- Particulate filter
- Catalyst
- Preserve the valves from clogging

Maintenance / Curative:

- Facilitates the passage to the technical control
- Allows fuel savings
- Reduces polluting emissions

* Available for French market, ask your local contact for local language

FUEL BORNE CATALYST FOR DPF

How to identify which Fuel Borne Catalyst is needed and choose the correct reference

BRAND	REGISTRATION DATE	DAM NO.	WALKER PART.NO	
-------	-------------------	---------	----------------	--

WALKER GENERATION 1			1 liter	4.5 liters
CITROËN	- 04/11/2002	- 9492	80614	80615
FIAT	- 04/11/2002		80614	80615
PEUGEOT	- 04/11/2002	- 9492	80614	80615



WALKER GENERATION 2			1 liter	3 liters
CITROËN	05/11/2002 - 28/02/2010	9493 - 12165	80617	80618
FIAT	05/11/2002 - 28/02/2010		80617	80618
FORD	05/11/2002 - 28/02/2010		80617	80618
MAZDA	05/11/2002 - 28/02/2010		80617	80618
MINI	05/11/2002 - 28/02/2010		80617	80618
PEUGEOT	05/11/2002 - 28/02/2010	9493 - 12165	80617	80618
VOLVO	05/11/2002 - 28/02/2010		80617	80618



WALKER GENERATION 3			1 liter	3 liter
CITROËN	01/03/2010 -	12166 -	80619	80620
FIAT	01/03/2010 -		80619	80620
FORD	01/03/2010 -		80619	80620
MAZDA	01/03/2010 -		80619	80620
MINI	01/03/2010 -		80619	80620
PEUGEOT	01/03/2010 -	12166 -	80619	80620
VOLVO	01/03/2010 -		80619	80620



WALKER GENERATION 4			1 liter	3 liters
PEUGEOT	01/12/2009 -	12076 -	83058	83059
CITROËN	01/12/2009 -	12076 -	83058	83059



- Only on Peugeot 508, 607 (phase 2) and 407; Citroën C5 II, C6
- In case of tank filled with Infineum F7995, filling with 4th generation is possible without cleaning and emptying the tank. FBC are miscible only in vehicles as from DAM n° 12076.

Fuel Borne Catalyst additive (FBC) is a compound that is mixed with the fuel in the fuel tank of vehicles equipped with a particulate filter, it enables the elimination of more than 98 % of the solid particle matter emitted by this type of engines to the atmosphere, including ultra-fines which are considered to have the most adverse health effects.

The role of the additive is:

- To lower the combustion temperature of the particles (600°C to 450°C).
- To be burned at the combustion chamber together with the fuel, to directly impregnate the particles.
- To propagate combustion (oxidation) of the solid particles in the DPF, improving its effectivity and reducing the time and the energy needed to perform the regeneration process.

Scan the QR-code and watch the video about Eolys refilling



PROFESSIONAL CATALYTIC CONVERTER DIAGNOSIS ON PETRO

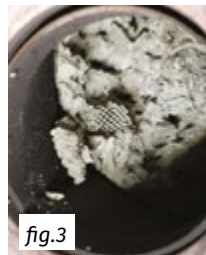
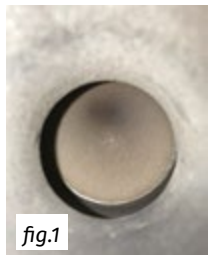
To perform a correct catalytic converter diagnosis, the use of a 4 gas analyzer is mandatory, because this device can give us the information needed to detect the causes of the failure. The procedure to test a vehicle is simple:

1

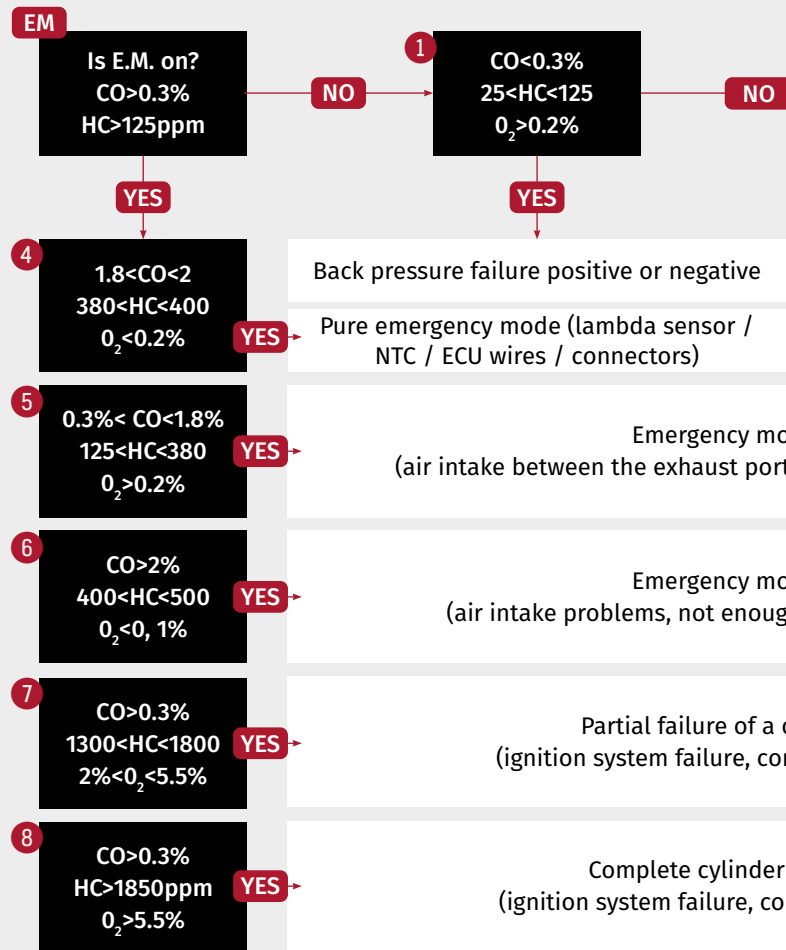
Warm up the engine to normal working temperature (about 80°C).

Catalytic converters' failures that affect converter function and produce noise

- Loose monolith inside catalytic converters' housing. No scratches or impact signs present in the housing and no melting signs (early stage*) 1 [see fig. 1]
- Monolith cracked (impacts with road objects, parkings, loose monolith, etc) 1 [see fig. 2]
- Monolith partially or totally melted [see fig. 3]
 - Wrong application (+ or - back pressure errors) 1
 - Non-homologated parts (+ or - back pressure errors) 1
 - Lambda sensor and/or engine temperature sensor malfunction 4
 - Partial or total failure of one or more cylinders (ignition problems) 7 8
 - Burned exhaust valves - compression issues in one or more cylinders 7 8
 - Air intake issues → lack of air in the mixture (partially blocked air filter, MAP sensor malfunction) 6
 - Air leakages between exhaust manifold and catalytic converter 5
 - Rusty internal parts of the exhaust 1



Fast analysis guide for measuring using 4 gas analyzer



* Early stages: refers to the time when the failure just appeared at the vehicle or at the catalytic converters' monolith. With the vehicle used and based on the severity of the issue and fixing the problem in early stages through the use of a gas analyzer may save as much as the silencers by a new one. [see fig. 4]



Advanced Gas Analyzer Reader (4G-AGAR)



Warranty portal



Garage Gurus website



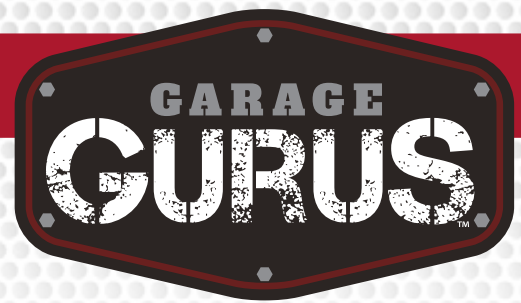
YouTube /c/GarageGurusEU

Twitter @GarageGurus_EU

Facebook GarageGurusEU



ON-THE-GO

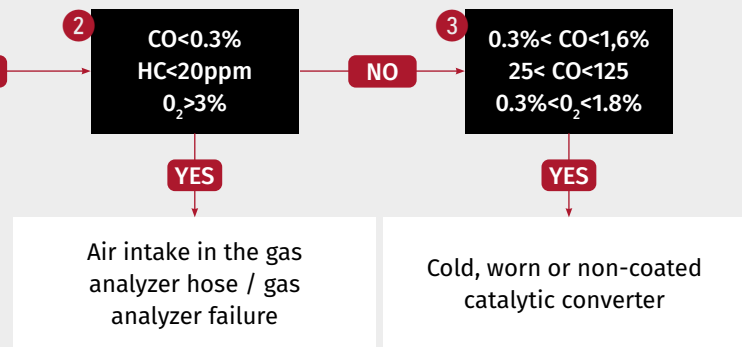


2
Speed up the RPMs until 2000 rpms for 3 minutes, to ensure that the catalytic converter has reached its working temperature.

3
At 2000 rpm, introduce the IR 4 gas analyzer sensor on the pipe and proceed to test.

4
Use the data obtained to go to the diagnostic chart below.

er tester



ode
t and the lambda sensor)

ode
h air in the mixture)

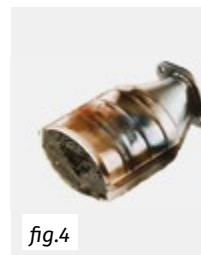
ylinder
mpression, etc).

failure
mpression, etc)

short period of time after, prior to cause a permanent damage of the catalytic, the unburned fuel will lead into a monolith fusion destroying the unit. Finding the customer from the need of replacing the catalytic converter and other parts

Catalytic converters' failures that don't produce noise

- Catalytic converter is cold **3**
- Catalytic converter is worn out **3**
- Empty catalytic converter housing (no monolith present).
WARNING: for vehicles equipped at time of manufacture with a catalytic converter, driving with an empty converter housing or with the catalytic converter missing is illegal, will result in a failed emissions test and can be penalized by law. **3**
- Catalytic converter is poisoned (putty paste, oil, lead, sulfur, external additives) **3** [see fig. 5]
- Wrong application in early stages (+ or - back pressure errors) **1**
- Non-homologated parts early stages (+ or - back pressure errors) **1**
- Lambda sensor and/or engine temperature sensor malfunction (early stages*) **4**
- Partial or total failure of one or more cylinders (early stages*) **7 8**
- Burned exhaust valves – compression issues in one or more cylinders (early stages*) **7 8**
- Air intake issues, lack of air in the mixture (partially blocked air filter, MAP sensor malfunction) (early stages) **6**
- Small air leakages between exhaust manifold and catalytic converter (early stages*) **5**
- Rusty internal parts of the exhaust (early stages*) **1**



WALKER

WE HAVE ALL!



TOTAL SOLUTION



SILENCERS



CATALYTIC CONVERTERS



**EVO S & EVO C
DIESEL PARTICULATE FILTERS**



FLEX PIPES



**KITS AND
COMPONENTS**



ADDITIVES

WALKER-EU.COM



**THE
WALKER
WAY**

www.garagegurus.tech/en-eu/